

**BILLUND 3** (BIU-90023)



**Product description**

Large



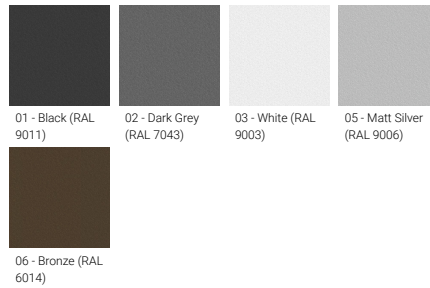
**Luminaire Structure**

- Die-cast aluminium housing
- Pre-treated before powder coating ensuring high corrosion resistance
- Thermal heat dissipation body
- Single cable entry
- One IP68 connector supplied with 0.3 m of 3x1.0 sqmm outdoor cable
- Stainless steel fasteners in grade 304 with zinc flake coating (ZFC)
- Durable silicone rubber gasket
- Clear toughened glass
- High-efficiency polycarbonate lens
- Integral control gear
- Surge protection 10kV
- Constant lumen output (CLO) and Night-time dimming options

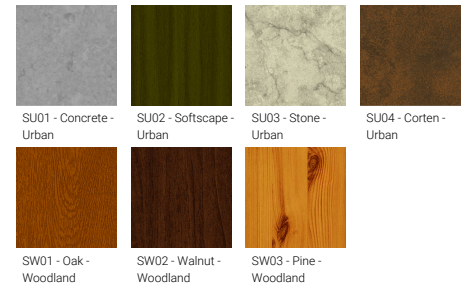
**Optic**



**Product colour**



**Special finishes upon request**



**BILLUND 3 (BIU-90023)**

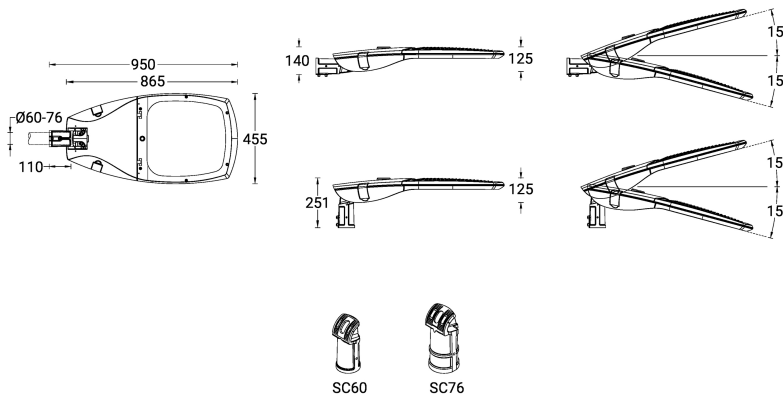
**Technical information**

<b>Material</b>	Aluminium
<b>Light source</b>	96 LED
<b>Power</b>	191 W
<b>Lumen</b>	22887 - 28908 lm
<b>Efficacy</b>	120 - 151 lm/W
<b>Driver option</b>	Integral control gear
<b>Driver</b>	Constant current (CC)
<b>Input voltage</b>	220-240 V 50/60 Hz

<b>Optic</b>	T1, T2, T3, T4, T5
<b>Optic value</b>	138°x125°, 140°x63°, 133°x66°, 111°x65°, 92°x121°
<b>CCT / CRI</b>	2700K CRI70, 3000K CRI70, 4000K CRI70
<b>Bug</b>	B3-U0-G3, B4-U0-G3, B4-U0-G4, B5-U0-G1, B5-U0-G2
<b>ULR</b>	<1%
<b>ULOR</b>	<1%
<b>CIE flux code n°3</b>	100, 96, 97
<b>Dimming type</b>	On/Off, 1-10V, DALI

<b>Product colours</b>	Black, Dark Grey, White, Matt Silver, Bronze, Concrete - Urban, Softscape - Urban, Stone - Urban, Corten - Urban, Oak - Woodland, Walnut - Woodland, Pine - Woodland
<b>Weight</b>	14.3 kg
<b>Operating temperature</b>	-20 °C to 50 °C
<b>EPA (m2)</b>	0.087
<b>Cable</b>	One IP68 connector supplied with 0.3 m of 3x1.0 sqmm outdoor cable
<b>Through wiring</b>	Single cable entry
<b>Lens / Reflector / Optic</b>	Clear toughened glass, High-efficiency polycarbonate lens
<b>Variants (On/Off, 1-10V, DALI)</b>	Compatible with EN/ IEC 60598-2-22: Suitable for emergency installations as central supply, non-maintained (Z0)

BIU-90023



**BILLUND 3** (BIU-90023)**Accessory**

---



DALI Control System  
**Control-DALI**

---