

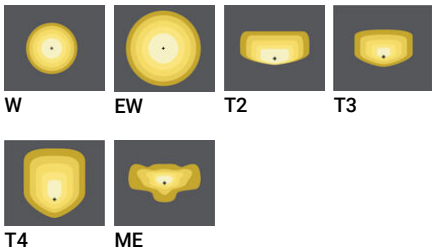
MACARON 2 (MC-20013)



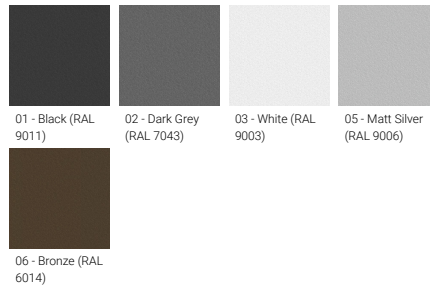
Luminaire Structure

- Die-cast aluminium housing and frame
- Pre-treated before powder coating ensuring high corrosion resistance
- Customised dimensions are available as standard upon request
- Single cable entry
- One IP68 connector supplied with 0.2 m of 3x1.0 sqmm outdoor cable
- Stainless steel fasteners in grade 304 with zinc flake coating (ZFC)
- Durable silicone rubber gasket
- Clear toughened glass
- High-efficiency PMMA lens
- Integral control gear

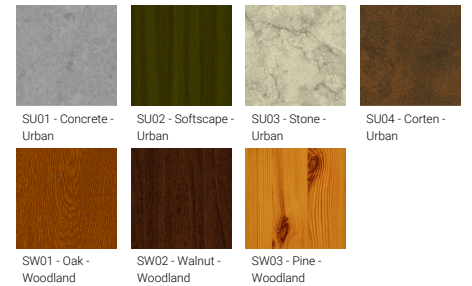
Optic



Product colour



Special finishes upon request



MACARON 2 (MC-20013)

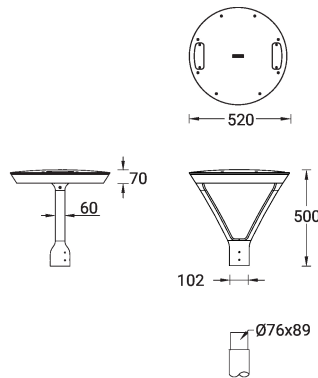
Technical information

Material	Aluminium
Light source	2 x 24 LED & 4 x 4LED
Power	158 W
Lumen	14219 - 16033 lm
Efficacy	90 - 101 lm/W
Driver option	Integral control gear
Driver	Constant current (CC)
Input voltage	220-240 V 50/60 Hz

Optic	W, EW, T2, T3, T4, ME
Optic value	53°x58°, 104°x116°, 45°x136°, 60°x121°, 61°x97°, 46°x137°
CCT / CRI	3000K CRI80, 4000K CRI80
Bug	B3-U1-G3, B4-U1-G1, B4-U1-G2
ULR	0.01, <1%
ULOR	0, <1%
CIE flux code n°3	97, 98, 99
Dimming type	On/Off, 1-10V, DALI

Product colours	Black, Dark Grey, White, Matt Silver, Bronze, Concrete - Urban, Softscape - Urban, Stone - Urban, Corten - Urban, Oak - Woodland, Walnut - Woodland, Pine - Woodland
Weight	13.5 kg
Operating temperature	-20 °C to 50 °C
EPA (m2)	0.069
Cable	One IP68 connector supplied with 0.2 m of 3x1.0 sqmm outdoor cable
Through wiring	Single cable entry
Lens / Reflector / Optic	Clear toughened glass, High-efficiency PMMA lens
Variants (On/Off, 1-10V, DALI)	Compatible with EN/ IEC 60598-2-22: Suitable for emergency installations as central supply, non-maintained (Z0)

MC-20013



MACARON 2 (MC-20013)**Accessory**



DALI Control System
Control-DALI
