

**ODESSA 7 (OD-50092) (Version 2)**



**Product description**

Bracket mounted projector – Ø105 mm

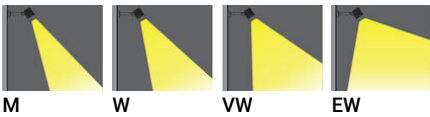


microPrim™

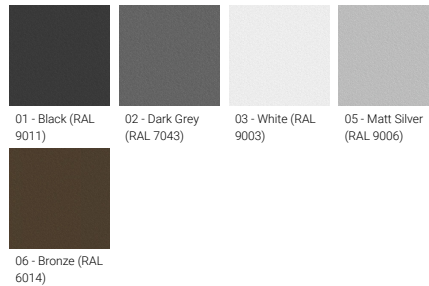
**Luminaire Structure**

- Die-cast aluminium housing
- Pre-treated before powder coating ensuring high corrosion resistance
- Adjustable: Tilt 80° (Up) & 40° (Down), Rotation 350°
- Single cable entry
- Stainless steel fasteners in grade 304 with zinc flake coating (ZFC)
- Durable silicone rubber gasket
- High-efficiency optical reflector
- Clear toughened glass
- Integral control gear

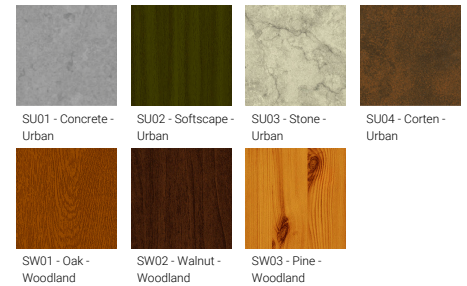
**Optic**



**Product colour**



**Special finishes upon request**



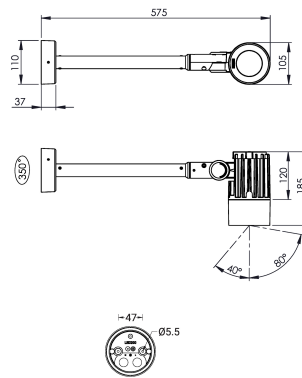
**Technical information**

|                      |                       |
|----------------------|-----------------------|
| <b>Material</b>      | Aluminium             |
| <b>Light source</b>  | 1 COB                 |
| <b>Power</b>         | 20 W                  |
| <b>Lumen</b>         | 1457 - 1622 lm        |
| <b>Efficacy</b>      | 73 - 81 lm/W          |
| <b>Driver option</b> | Integral control gear |
| <b>Driver</b>        | Constant current (CC) |
| <b>Input voltage</b> | 220-240 V 50/60 Hz    |
| <b>Optic</b>         | M, W, VW, EW          |

|                          |  |
|--------------------------|--|
| <b>Optic value</b>       | 28°, 35°, 46°, 75°   |
| <b>CCT / CRI</b>         | 2700K CRI80, 3000K CRI80, 4000K CRI80  |
| <b>Bug</b>               | B1-U0-G0, B2-U0-G0   |
| <b>ULR</b>               | <1%  |
| <b>ULOR</b>              | <1%  |
| <b>CIE flux code n°3</b> | 100  |
| <b>Dimming type</b>      | On/Off, 1-10V, DALI  |
| <b>Product colours</b>   | Black, Dark Grey, White, Matt Silver, Bronze, Concrete - Urban, Softscape - Urban, Stone - Urban, Corten - Urban, Oak - Woodland, Walnut - Woodland, Pine - Woodland |
| <b>Weight</b>            | 3.2 kg   |

|                                       |   |
|---------------------------------------|---|
| <b>Operating temperature</b>          | -20 °C to 40 °C   |
| <b>EPA (m2)</b>                       | 0.054   |
| <b>Through wiring</b>                 | Single cable entry  |
| <b>Lens / Reflector / Optic</b>       | High-efficiency optical reflector, Clear toughened glass  |
| <b>MacAdam Ellipse</b>                | 3 SDCM  |
| <b>Lifetime L90B10 (hours)</b>        | > 61,000  |
| <b>Variants (On/Off, 1-10V, DALI)</b> | Compatible with EN/ IEC 60598-2-22: Suitable for emergency installations as central supply, non-maintained (Z0) |

OD-50092



**Accessory**

---



Anti-glare visor  
**A80331**



Honeycomb louvre  
**A80121**



Linear spread lens  
**A80214**



DALI Control System  
**Control-DALI**

Please contact the factory for technical details if you wish to use Anti-glare accessories, Colour filters, Lenses and slip glasses in combination.