

TANGO 33 (TA-80552)



Product description

Round



microPrim™

Luminaire Structure

- Die-cast aluminium housing
- Pre-treated before powder coating ensuring high corrosion resistance
- Single cable entry
- Stainless steel fasteners in grade 304 with zinc flake coating (ZFC)
- Durable silicone rubber gasket
- High-efficiency optical reflector
- Clear toughened glass
- Integral control gear
- Optional surface mounting box for easy wiring or conduit connection when wiring from behind is not possible

Optic



AS

Product colour



Special finishes upon request



TANGO 33 (TA-80552)

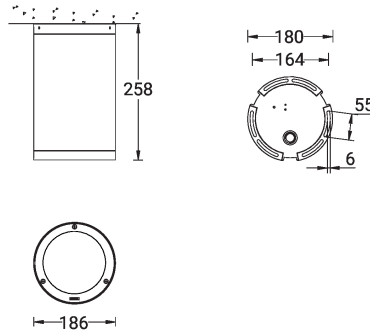
Technical information

| | |
|----------------------|-----------------------|
| Material | Aluminium |
| Light source | 1 COB |
| Power | 29 W |
| Lumen | 2535 - 2668 lm |
| Efficacy | 87 - 92 lm/W |
| Driver option | Integral control gear |
| Driver | Constant current (CC) |
| Input voltage | 220-240 V 50/60 Hz |

| | |
|--------------------------|--------------------------|
| Optic | AS |
| Optic value | 46°x 56° |
| CCT / CRI | 3000K CRI80, 4000K CRI80 |
| Bug | B1-U0-G0 |
| ULR | <1% |
| ULOR | <1% |
| CIE flux code n°3 | 100 |
| Dimming type | On/Off, 1-10V, DALI |

| | |
|---------------------------------|--|
| Product colours | Black, Dark Grey, White, Matt Silver, Bronze, Concrete - Urban, Softscape - Urban, Stone - Urban, Corten - Urban, Oak - Woodland, Walnut - Woodland, Pine - Woodland |
| Weight | 3.7 kg |
| Operating temperature | -20 °C to 40 °C |
| Through wiring | Single cable entry |
| Lens / Reflector / Optic | High-efficiency optical reflector, Clear toughened glass |
| Variants (1-10V, DALI) | Compatible with EN/ IEC 60598-2-22: Suitable for emergency installations as central supply, non-maintained (Z0) |

TA-80552



TANGO 33 (TA-80552)

Accessory



Mounting ring for semi-recessed
installation
A80281



DALI Control System
Control-DALI