

FORREY 4 (FOR-10102)



Product description

Ø186 - 874 mm - With shade & louver & opal diffuser



microPrim™

Luminaire Structure

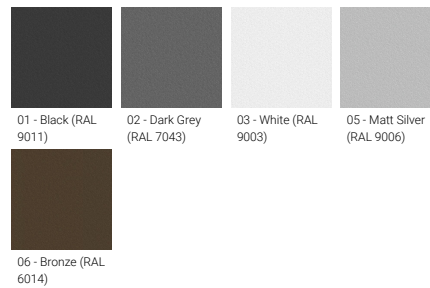
- Die-cast aluminium housing and frame
- Extruded aluminium column
- Pre-treated before powder coating ensuring high corrosion resistance
- Models with shade will have colour white coating at inside of shade luminaire and outside surface coating according to colour of luminaire
- Single cable entry
- One IP68 connector supplied with 0.2 m of 3x1.0 sqmm outdoor cable
- Stainless steel fasteners in grade 304 with zinc flake coating (ZFC)
- Durable silicone rubber gasket
- White coated aluminium reflector on the top of luminaire
- Opal UV-stabilised polycarbonate diffuser
- Integral control gear
- FORREY luminaires with opal lens and colder than 3000K CCT do not meet the IDA certification requirements

Optic

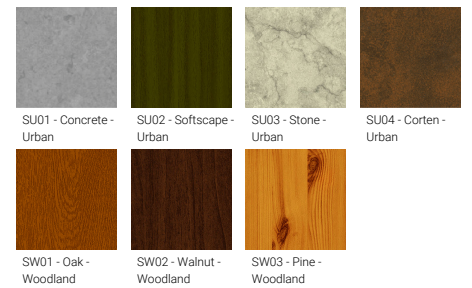


G

Product colour



Special finishes upon request



FORREY 4 (FOR-10102)

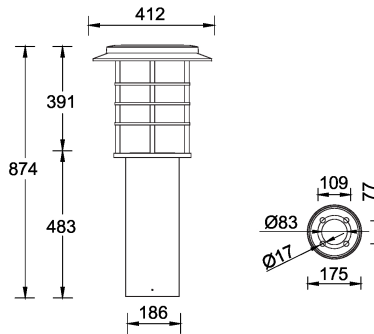
Technical information

| | |
|----------------------|-----------------------|
| Material | Aluminium |
| Light source | 160 LED |
| Power | 50 W |
| Lumen | 3126 - 3361 lm |
| Efficacy | 62 - 67 lm/W |
| Driver option | Integral control gear |
| Driver | Constant current (CC) |
| Input voltage | 220-240 V 50/60 Hz |

| | |
|------------------------------|--|
| Optic | G |
| Optic value | 360° |
| CCT / CRI | 3000K CRI80, 4000K CRI80 |
| Dimming type | On/Off, 1-10V, DALI |
| Product colours | Black, Dark Grey, White, Matt Silver, Bronze, Concrete - Urban, Softscape - Urban, Stone - Urban, Corten - Urban, Oak - Woodland, Walnut - Woodland, Pine - Woodland |
| Weight | 14.5 kg |
| Operating temperature | -20 °C to 40 °C |
| Cable | One IP68 connector supplied with 0.2 m of 3x1.0 sqmm outdoor cable |

| | |
|---------------------------------|---|
| Through wiring | Single cable entry |
| Lens / Reflector / Optic | White coated aluminium reflector on the top of luminaire, Opal UV-stabilised polycarbonate diffuser |
| MacAdam Ellipse | 3 SDCM |
| Lifetime L90B10 (hours) | > 23,000 |
| Lifetime L80B10 (hours) | > 45,000 |
| Lifetime L80B50 (hours) | > 49,000 |
| Variants (DALI) | Compatible with EN/ IEC 60598-2-22: Suitable for emergency installations as central supply, non-maintained (Z0) |

FOR-10102



FORREY 4 (FOR-10102)

Accessory



Anchor bolt
A10391



DALI Control System
Control-DALI