

ANDERSON 2 (AD-20011)



Product description

Large

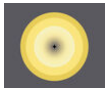


microPrim™

Luminaire Structure

- Die-cast aluminium housing
- Extruded aluminium column
- Pre-treated before powder coating ensuring high corrosion resistance
- Single cable entry
- One IP68 connector supplied with 0.2 m of 3x1.0 sqmm outdoor cable
- Stainless steel fasteners in grade 304 with zinc flake coating (ZFC)
- Durable silicone rubber gasket
- Anodised, high-purity aluminium reflector
- Clear UV-stabilised polycarbonate diffuser
- Integral control gear
- White coated indirect shade on the top of luminaire

Optic



G

Product colour



Special finishes upon request



ANDERSON 2 (AD-20011)

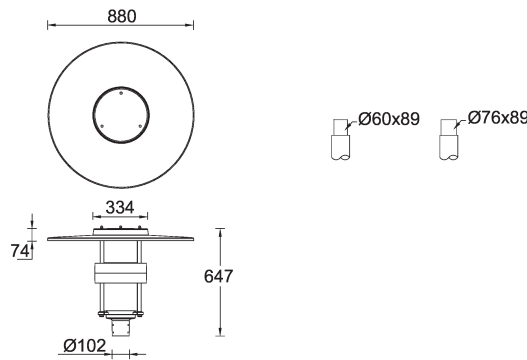
Technical information

Material	Aluminium
Light source	2 COB
Power	82 W
Lumen	4928 - 5273 lm
Efficacy	60 - 64 lm/W
Driver option	Integral control gear
Driver	Constant current (CC)
Input voltage	220-240 V 50/60 Hz
Optic	G
Optic value	360°

CCT / CRI	3000K CRI80, 4000K CRI80
Bug	B2-U3-G1
ULR	6%
ULOR	6%
CIE flux code n°3	93
Dimming type	On/Off, 1-10V, DALI
Product colours	Black, Dark Grey, White, Matt Silver, Bronze, Concrete - Urban, Softscape - Urban, Stone - Urban, Corten - Urban, Oak - Woodland, Walnut - Woodland, Pine - Woodland
Weight	18.0 kg
Operating temperature	-20 °C to 40 °C
EPA (m2)	0.173

Cable	One IP68 connector supplied with 0.2 m of 3x1.0 sqmm outdoor cable
Through wiring	Single cable entry
Lens / Reflector / Optic	Anodised, high-purity aluminium reflector, Clear UV-stabilised polycarbonate diffuser
MacAdam Ellipse	3 SDCM
Lifetime L90B10 (hours)	> 50,700
Lifetime L80B10 (hours)	> 63,500
Lifetime L80B50 (hours)	> 63,500
Variants (On/Off, 1-10V, DALI)	Compatible with EN/ IEC 60598-2-22: Suitable for emergency installations as central supply, non-maintained (Z0)

AD-20011



ANDERSON 2 (AD-20011)

Accessory



DALI Control System
Control-DALI
