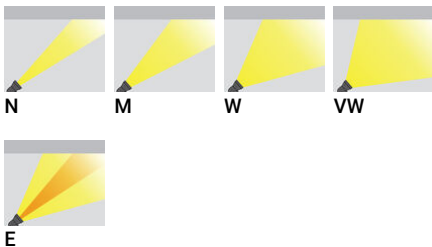


FUNEN 3 (FUN-50022) (Version 1)**Product description**

Without remote driver - Constant voltage (CV) 24 V - RGBW

**Luminaire Structure**

- Stainless steel body in grade 316
- Single cable entry
- One cable gland supplied with 2 m of 5x0.75 sqmm outdoor cable
- Stainless steel fasteners in grade 316
- Durable silicone rubber gasket
- Clear toughened glass
- Remote driver (not included)
- Remote box IP-rated is not included and is to be ordered separately for constant current (CC) products
- Luminaire must be submerged when operational
- Maximum depth 2 m
- Outdoor cable needs to be ordered with a specific length
- Maximum distance of the Remote DMX/RDM decoder is 8 m

Optic**Product colour**

00 - Stainless Steel

FUNEN 3 (FUN-50022) (Version 1)

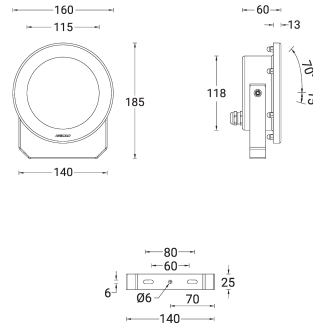
Technical information

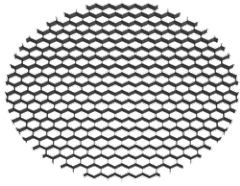
Material	Stainless Steel
Light source	8 LED
Power	15 W
Lumen	853 - 1133 lm
Efficacy	57 - 76 lm/W
Driver option	Remote driver (not included)
Driver	Constant voltage (CV)
Input voltage	24 VDC

Optic	N, M, W, VW, E
Optic value	11°, 17°, 32°, 71°, 14°x43°
CCT / CRI	RGBW30, RGBW40
Bug	B1-U0-G0, B2-U0-G0
ULR	<1%
ULOR	<1%
CIE flux code n°3	100
Dimming type	DMX, DMX/RDM

Product colours	Stainless Steel
Weight	1.4 kg
Operating temperature	-20 °C to 40 °C
Cable	One cable gland supplied with 2 m of 5x0.75 sqmm outdoor cable
Through wiring	Single cable entry
Lens / Reflector / Optic	Clear toughened glass

FUN-50022



FUNEN 3 (FUN-50022) (Version 1)**Accessory**

Honeycomb louvre
A52421



DMX Control System
Control-DMX



DMX/RDM Control System
Control-DMX-RDM



Driver (CV) - On/Off - 36 W - IP67
- 24 V
A34491-ND



Driver (CV) - On/Off - 60 W - IP67
- 24 V
A34591-ND



Driver (CV) - On/Off - 100 W -
IP67 - 24 V
A34791-ND



Driver (CV) - On/Off - 150 W -
IP67 - 24 V
A34891-ND



Driver (CV) - On/Off - 200 W -
IP67 - 24 V
A34991-ND



Driver (CV) - On/Off - 350 W -
IP67 - 24 V
A35091-ND