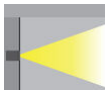


OREGON 1 (OR-60896) (Version 1)**Product description**

Without remote driver - With recessing box - Constant voltage (CV) 24 V - RGBW

**Luminaire Structure**

- Stainless steel body in grade 316
- Single cable entry
- One cable gland supplied with 2 m of 5x0.75 sqmm outdoor cable
- Stainless steel fasteners in grade 316
- Durable silicone rubber gasket
- Clear toughened glass
- Remote driver (not included)
- Remote box IP-rated is not included and is to be ordered separately for constant current (CC) products
- Recessing box in high-density polyethylene is included
- Luminaire must be submerged when operational
- Maximum depth 1 m
- Outdoor cable needs to be ordered with a specific length

Optic**M****Product colour**

00 - Stainless Steel

OREGON 1 (OR-60896) (Version 1)

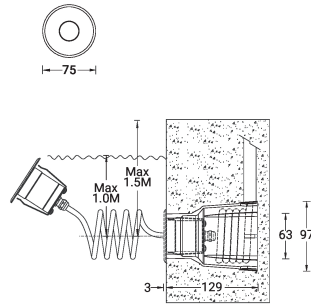
Technical information

Material	Stainless Steel
Light source	1 LED
Power	5 W
Lumen	224 lm
Efficacy	45 lm/W
Driver option	Remote driver (not included)

Driver	Constant voltage (CV)
Input voltage	24 VDC
Optic	M
Optic value	33°
CCT / CRI	RGBW30, RGBW40
Dimming type	DMX, DMX/RDM

Product colours	Stainless Steel
Weight	0.6 kg
Operating temperature	-20 °C to 40 °C
Cable	One cable gland supplied with 2 m of 5x0.75 sqmm outdoor cable
Through wiring	Single cable entry
Lens / Reflector / Optic	Clear toughened glass

OR-60896



Accessory



DMX Control System
Control-DMX



DMX/RDM Control System
Control-DMX-RDM



Driver (CV) - On/Off - 36 W - IP67
- 24 V
A34491-ND



Driver (CV) - On/Off - 60 W - IP67
- 24 V
A34591-ND



Driver (CV) - On/Off - 100 W -
IP67 - 24 V
A34791-ND



Driver (CV) - On/Off - 150 W -
IP67 - 24 V
A34891-ND



Driver (CV) - On/Off - 200 W -
IP67 - 24 V
A34991-ND



Driver (CV) - On/Off - 350 W -
IP67 - 24 V
A35091-ND