

AURORA (AUR-30011)



Product description

360° light beam



microPrim™

Luminaire Structure

- Die-cast aluminium housing
- Pre-treated before powder coating ensuring high corrosion resistance
- Single cable entry
- Stainless steel fasteners in grade 304 with zinc flake coating (ZFC)
- Durable silicone rubber gasket
- High-efficiency PMMA lens
- Integral control gear
- 360° light blade effect
- For AUR-30011 not included 24 VDC input, DMXRDM address with stable signal

Optic



G

Product colour



Special finishes upon request



AURORA (AUR-30011)

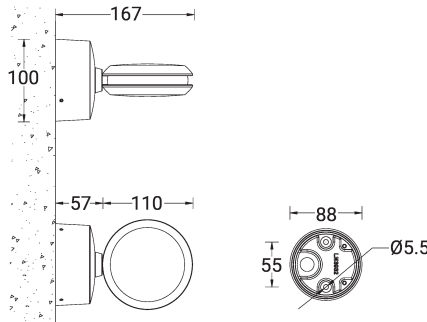
Technical information

Material	Aluminium
Light source	3 LED
Power	4 W
Lumen	171 - 177 lm
Efficacy	43 - 44 lm/W
Driver option	Integral control gear
Driver	Constant current (CC)
Input voltage	220-240 V 50/60 Hz
Optic	G

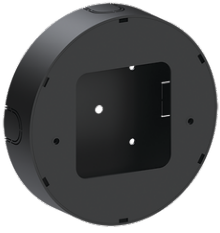
Optic value	360°
CCT / CRI	3000K CRI80, 4000K CRI80
Bug	B0-U2-G0
ULR	33%
ULOR	33%
CIE flux code n°3	84
Dimming type	On/Off
Product colours	Black, Dark Grey, White, Matt Silver, Bronze, Concrete - Urban, Softscape - Urban, Stone - Urban, Corten - Urban, Oak - Woodland, Walnut - Woodland, Pine - Woodland
Weight	0.8 kg

Operating temperature	-20 °C to 50 °C
Through wiring	Single cable entry
Lens / Reflector / Optic	High-efficiency PMMA lens
MacAdam Ellipse	3 SDCM
Lifetime L90B10 (hours)	> 120,000
Lifetime L80B10 (hours)	> 120,000
Lifetime L80B50 (hours)	> 120,000
Variants (On/Off)	Compatible with EN/ IEC 60598-2-22: Suitable for emergency installations as central supply, non-maintained (Z0)

AUR-30011



AURORA (AUR-30011)**Accessory**



Surface mounting box for easy
cabling (AURORA)
SCE-AURORA
