

**UTAH 4** (UT-50565) (Version 1)



**Product description**

Without remote driver - With spike - Constant voltage (CV) 24 V - Class III - RGBW



microPrim™

**Luminaire Structure**

- Die-cast aluminium housing
- Pre-treated before powder coating ensuring high corrosion resistance
- Single cable entry
- One cable gland supplied with 0.5 m of 5x0.75 sqmm outdoor cable
- Stainless steel fasteners in grade 304 with zinc flake coating (ZFC)
- Durable silicone rubber gasket
- High-efficiency PMMA lens
- Clear toughened glass
- Remote driver (not included)
- Plastic ground spike for garden type

**Optic**



M

**Product colour**



**Special finishes upon request**



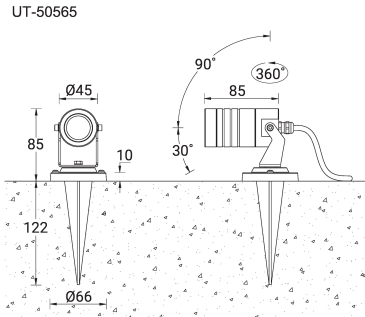
**UTAH 4** (UT-50565) (Version 1)

**Technical information**

<b>Material</b>	Aluminium
<b>Light source</b>	1 LED
<b>Power</b>	5 W
<b>Lumen</b>	224 lm
<b>Efficacy</b>	45 lm/W
<b>Driver option</b>	Remote driver (not included)
<b>Driver</b>	Constant voltage (CV)
<b>Input voltage</b>	24 VDC
<b>Optic</b>	M

<b>Optic value</b>	33°
<b>CCT / CRI</b>	RGBW30, RGBW40
<b>Bug</b>	B1-U0-G0
<b>ULR</b>	<1%
<b>ULOR</b>	<1%
<b>CIE flux code n°3</b>	99
<b>Dimming type</b>	DMX, DMX/RDM
<b>Product colours</b>	Black, Dark Grey, White, Matt Silver, Bronze, Concrete - Urban, Softscape - Urban, Stone - Urban, Corten - Urban, Oak - Woodland, Walnut - Woodland, Pine - Woodland
<b>Weight</b>	0.3 kg

<b>Operating temperature</b>	-20 °C to 40 °C
<b>EPA (m2)</b>	0.007
<b>Cable</b>	One cable gland supplied with 0.5 m of 5x0.75 sqmm outdoor cable
<b>Through wiring</b>	Single cable entry
<b>Lens / Reflector / Optic</b>	High-efficiency PMMA lens, Clear toughened glass
<b>MacAdam Ellipse</b>	7 SDCM
<b>Lifetime L90B10 (hours)</b>	> 15,000
<b>Lifetime L80B10 (hours)</b>	> 31,000
<b>Lifetime L80B50 (hours)</b>	> 34,000



**Accessory**



Anti-glare visor  
**A51431**



DMX Control System  
**Control-DMX**



DMX/RDM Control System  
**Control-DMX-RDM**



Driver (CV) - On/Off - 36 W - IP67  
- 24 V  
**A34491-ND**



Driver (CV) - On/Off - 60 W - IP67  
- 24 V  
**A34591-ND**



Driver (CV) - On/Off - 100 W -  
IP67 - 24 V  
**A34791-ND**



Driver (CV) - On/Off - 150 W -  
IP67 - 24 V  
**A34891-ND**



Driver (CV) - On/Off - 200 W -  
IP67 - 24 V  
**A34991-ND**



Driver (CV) - On/Off - 350 W -  
IP67 - 24 V  
**A35091-ND**