

**VEKTER 4 (VK-10012)**



**Product description**

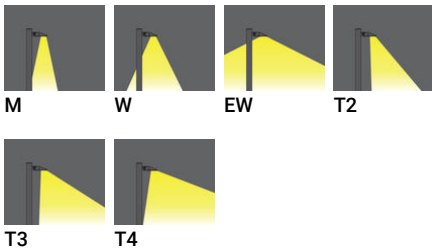
Ø102 - 1200 mm - 2 sides



**Luminaire Structure**

- Die-cast aluminium housing
- Extruded aluminium column
- Pre-treated before powder coating ensuring high corrosion resistance
- Single cable entry
- One IP68 connector supplied with 0.2 m of 3x1.0 sqmm outdoor cable
- Stainless steel fasteners in grade 304 with zinc flake coating (ZFC)
- Durable silicone rubber gasket
- Clear toughened glass
- High-efficiency PMMA lens
- Integral control gear

**Optic**



**Product colour**



**Special finishes upon request**



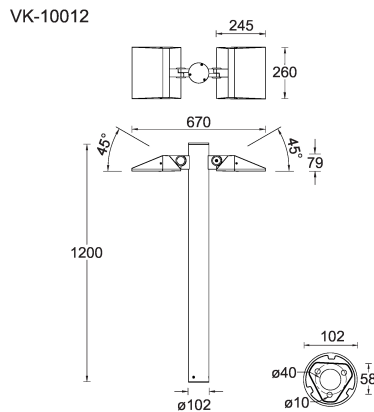
**VEKTER 4 (VK-10012)**

**Technical information**

<b>Material</b>	Aluminium
<b>Light source</b>	2 x 12 LED
<b>Power</b>	56 W
<b>Lumen</b>	6312 - 7316 lm
<b>Efficacy</b>	117 - 135 lm/W
<b>Driver option</b>	Integral control gear
<b>Driver</b>	Constant current (CC)
<b>Input voltage</b>	220-240 V 50/60 Hz
<b>Optic</b>	M, W, EW, T2, T3, T4, ME

<b>Optic value</b>	29°, 40°x54°, 106°x114°, 56°x140°, 92°x127°, 72°x103°, 62°x139°
<b>CCT / CRI</b>	2700K CRI80, 3000K CRI80, 4000K CRI80
<b>Bug</b>	B1-U1-G0, B1-U2-G0, B1-U2-G1, B2-U2-G0, B2-U2-G1, B3-U2-G1
<b>ULR</b>	<1%
<b>ULOR</b>	<1%
<b>CIE flux code n°3</b>	96, 97, 99
<b>Dimming type</b>	On/Off, DALI
<b>Product colours</b>	Black, Dark Grey, White, Matt Silver, Bronze, Concrete - Urban, Softscape - Urban, Stone - Urban, Corten - Urban, Oak - Woodland, Walnut - Woodland, Pine - Woodland
<b>Weight</b>	11.2 kg

<b>Operating temperature</b>	-20 °C to 50 °C
<b>Cable</b>	One IP68 connector supplied with 0.2 m of 3x1.0 sqmm outdoor cable
<b>Through wiring</b>	Single cable entry
<b>Lens / Reflector / Optic</b>	Clear toughened glass, High-efficiency PMMA lens
<b>MacAdam Ellipse</b>	3 SDCM
<b>Lifetime L90B10 (hours)</b>	> 90,000
<b>Lifetime L80B10 (hours)</b>	> 90,000
<b>Lifetime L80B50 (hours)</b>	> 90,000
<b>Variants (On/Off, DALI)</b>	Compatible with EN/ IEC 60598-2-22: Suitable for emergency installations as central supply, non-maintained (Z0)



**VEKTER 4 (VK-10012)****Accessory**

---



Anchor bolt  
**A10791**



DALI Control System  
**Control-DALI**