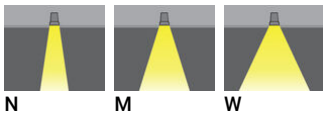
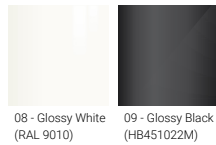


AMOS 4 (AM-80051)**Product description**

Ø203 mm

**Luminaire Structure**

- Die-cast aluminium housing with powder coating
- Die-cast aluminium heat sink with excellent thermal management
- Aluminium reflector with white powder coating
- Remote driver (included)

Optic**Product colour**

AMOS 4 (AM-80051)

Technical information

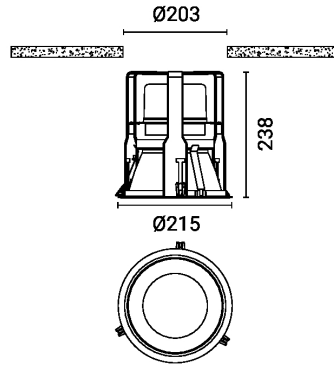
Material	Aluminium
Light source	24 LED
Power	39 W
Lumen	3438 - 4020 lm
Efficacy	88 - 103 lm/W
Driver option	Remote driver (included)
Driver	Constant current (CC)
Input voltage	220-240 V 50/60 Hz
Optic	N, M, W

Optic value	26°, 33°, 43°
CCT / CRI	3000K CRI80, 4000K CRI80
Bug	B3-U0-G0
ULR	<1%
ULOR	<1%
CIE flux code n°3	100, 99
Dimming type	On/Off, 1-10V, DALI
Product colours	Glossy White, Glossy Black
Weight	2.1 kg

Operating temperature	-20 °C to 40 °C
Lens / Reflector / Optic	Aluminium reflector with white powder coating
MacAdam Ellipse	3 SDCM
Lifetime L90B10 (hours)	> 120,000
Lifetime L80B10 (hours)	> 120,000
Lifetime L80B50 (hours)	> 120,000

Variants (1-10V) Compatible with EN/ IEC 60598-2-22: Suitable for emergency installations as central supply, non-maintained (Z0)

AM-80051



AMOS 4 (AM-80051)

Accessory



DALI Control System
Control-DALI
