

LADOR 4 (LD-50032)



Product description

Integral control gear - 145x145 mm - Class I - RGBW

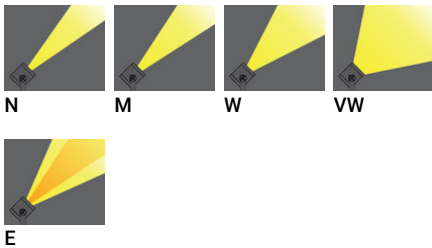


microPrim™

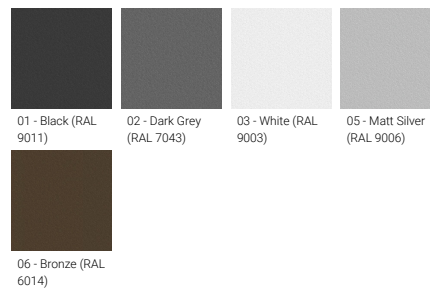
Luminaire Structure

- Die-cast aluminium housing
- Thermal heat dissipation body
- Pre-treated before powder coating ensuring high corrosion resistance
- Single cable entry
- Three IP68 connectors supplied with 0.2 m of 3x1.0 sqmm outdoor cable and 2x0.2 m of 2x0.5 sqmm outdoor shielded cable
- Stainless steel fasteners in grade 304 with zinc flake coating (ZFC)
- Durable silicone rubber gasket
- High-efficiency PMMA lens
- Clear toughened glass
- Integral control gear
- LADOR 1, 2, 3 and 4 are not available in European Union

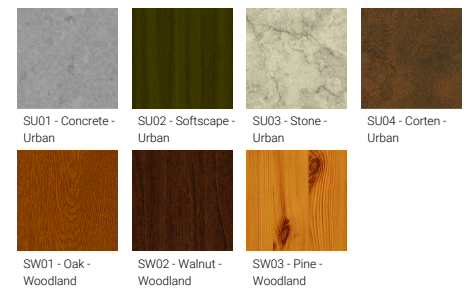
Optic



Product colour



Special finishes upon request

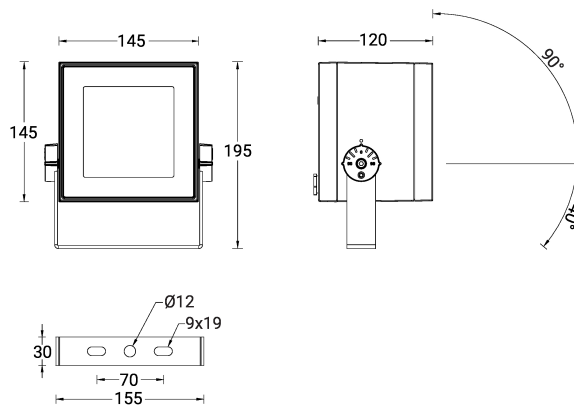


LADOR 4 (LD-50032)

Technical information

Material	Aluminium	Optic	N, M, W, VW, E	Product colours	Black, Dark Grey, White, Matt Silver, Bronze, Concrete - Urban, Softscape - Urban, Stone - Urban, Corten - Urban, Oak - Woodland, Walnut - Woodland, Pine - Woodland
Light source	16 LED	Optic value	8°, 17°, 26°, 65°, 43°x11°	Weight	3.0 kg
Power	28 W	CCT / CRI	RGBW30, RGBW40	Operating temperature	-20 °C to 40 °C
Lumen	1322 - 1600 lm	Bug	B1-U0-G0	EPA (m2)	0.028
Efficacy	47 - 57 lm/W	ULR	<1%	Cable	Three IP68 connectors supplied with 0.2 m of 3x1.0 sqmm outdoor cable and 2x0.2 m of 2x0.5 sqmm outdoor shielded cable
Driver option	Integral control gear	ULOR	<1%	Through wiring	Single cable entry
Driver	Constant voltage (CV)	CIE flux code n°3	100	Lens / Reflector / Optic	High-efficiency PMMA lens, Clear toughened glass
Input voltage	220-240 V 50/60 Hz	Dimming type	DMX, DMX/RDM	Variants (DMX/RDM)	Compatible with EN/ IEC 60598-2-22: Suitable for emergency installations as central supply, non-maintained (Z0)

LD-50032

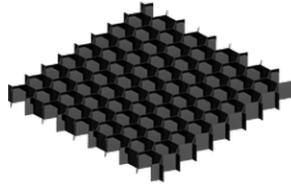


LADOR 4 (LD-50032)**Accessory**

Anti-glare visor
A53131



Ground spike
A50441



Honeycomb louvre
A52121



Linear spread lens
A51414



DMX Control System
Control-DMX



DMX/RDM Control System
Control-DMX-RDM

Please contact the factory for technical details if you wish to use Anti-glare accessories, Colour filters, Lenses and slip glasses in combination.