

VANCOUVER 10 (VA-20071-LC)



Product description

3700 mm - Decorative pattern type 3 - LIGHTCONNECT™



LIGHT CONNECT™ microPrim™

Luminaire Structure

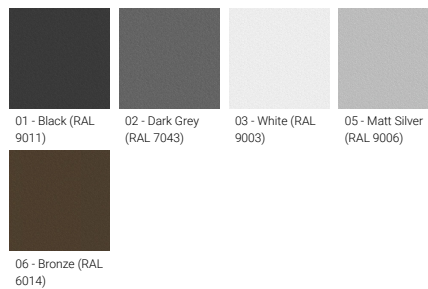
- Die-cast aluminium housing
- Extruded aluminium column
- Pre-treated before powder coating ensuring high corrosion resistance
- Single cable entry
- One IP68 connector supplied with 0.3 m of 3x1.0 sqmm outdoor cable
- Stainless steel fasteners in grade 304 with zinc flake coating (ZFC)
- Durable silicone rubber gasket
- High-efficiency optical reflector
- Clear toughened glass
- Integral control gear
- Maximum wind load resistance is 160 km/h
- Surge protection 10kV
- VANCOUVER luminaires with projectors on top and colder than 3000K CCT do not meet the IDA certification requirements

Optic

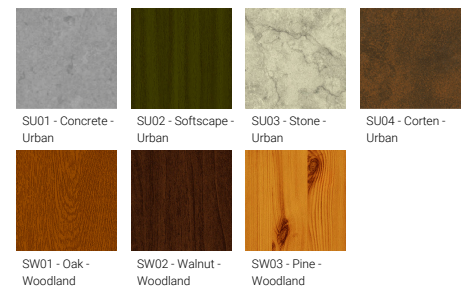


G

Product colour



Special finishes upon request



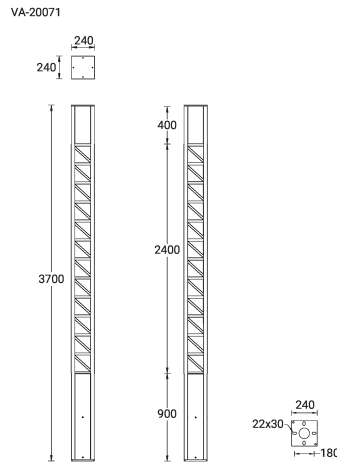
VANCOUVER 10 (VA-20071-LC)

Technical information

Material	Aluminium
Light source	1 COB
Power	40 W
Lumen	1560 - 1670 lm
Efficacy	39 - 42 lm/W
Driver option	Integral control gear
Driver	Constant current (CC)
Input voltage	220-240 V 50/60 Hz

Optic	G
Optic value	56°
CCT / CRI	3000K CRI80, 4000K CRI80
Bug	B1-U2-G0
ULR	1%
ULOR	1%
CIE flux code n°3	99
Dimming type	DALI

Product colours	Black, Dark Grey, White, Matt Silver, Bronze, Concrete - Urban, Softscape - Urban, Stone - Urban, Corten - Urban, Oak - Woodland, Walnut - Woodland, Pine - Woodland
Weight	54.3 kg
Operating temperature	-20 °C to 40 °C
EPA (m2)	0.888
Cable	One IP68 connector supplied with 0.3 m of 3x1.0 sqmm outdoor cable
Through wiring	Single cable entry
Lens / Reflector / Optic	High-efficiency optical reflector, Clear toughened glass
Variants (DALI)	Compatible with EN/ IEC 60598-2-22: Suitable for emergency installations as central supply, non-maintained (Z0)



VANCOUVER 10 (VA-20071-LC)

Accessory



Zhaga Book 18 socket (Up)
A90991-U



NEMA 7 socket
A90891



DALI Control System
Control-DALI



Smart Pole Accessories
Accs-Smart-Pole