

**GINO 3 (GI-31601)**



**Product description**

Frosted diffuser - Down (Optic) & Up (Optic 2nd)



microPrim™

**Luminaire Structure**

- Die-cast aluminium housing and frame
- Pre-treated before powder coating ensuring high corrosion resistance
- Single cable entry
- Stainless steel fasteners in grade 304 with zinc flake coating (ZFC)
- Durable silicone rubber gasket
- Frosted glass diffuser
- Integral control gear
- Optional surface mounting box for easy wiring or conduit connection when wiring from behind is not possible

**Optic**

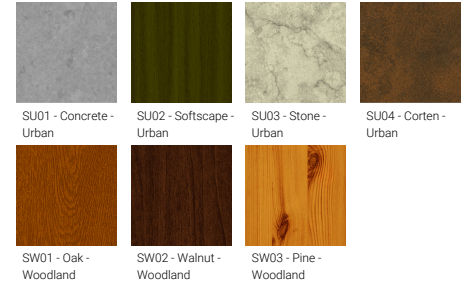


G / G

**Product colour**



**Special finishes upon request**



**GINO 3 (GI-31601)**

**Technical information**

<b>Material</b>	Aluminium
<b>Light source</b>	2 & 2 COB
<b>Power</b>	16 W
<b>Lumen</b>	1002 - 1128 lm
<b>Efficacy</b>	63 - 71 lm/W
<b>Driver option</b>	Integral control gear
<b>Driver</b>	Constant current (CC)
<b>Input voltage</b>	220-240 V 50/60 Hz
<b>Optic</b>	G

<b>Optic value</b>	94°
<b>Optic (2nd)</b>	G
<b>Optic (2nd) value</b>	94°
<b>CCT / CRI</b>	2700K CRI80, 3000K CRI80, 4000K CRI80
<b>Bug</b>	B0-U4-G0
<b>ULR</b>	50%
<b>ULOR</b>	50%
<b>Dimming type</b>	On/Off, 1-10V, DALI

**Product colours**

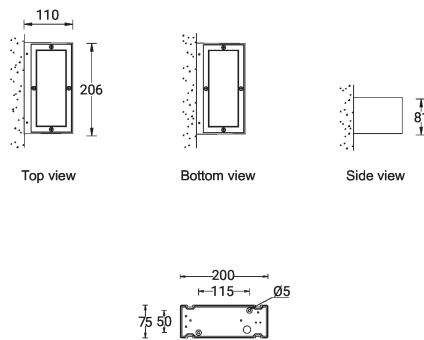
Black, Dark Grey, White, Matt Silver, Bronze, Concrete - Urban, Softscape - Urban, Stone - Urban, Corten - Urban, Oak - Woodland, Walnut - Woodland, Pine - Woodland

<b>Weight</b>	1.0 kg
<b>Operating temperature</b>	-20 °C to 50 °C
<b>Through wiring</b>	Single cable entry
<b>Lens / Reflector / Optic</b>	Frosted glass diffuser
<b>MacAdam Ellipse</b>	3 SDCM
<b>Lifetime L90B10 (hours)</b>	> 50,000

**Variants (On/Off, 1-10V, DALI)**

Compatible with EN/ IEC 60598-2-22: Suitable for emergency installations as central supply, non-maintained (Z0)

GI-31601



**GINO 3** (GI-31601)**Accessory**

---



---

Surface mounting box for easy  
cabling (GINO 3-COB)  
**SCE-GINO-3-COB**

---



---

DALI Control System  
**Control-DALI**

---