

MIC 3 (MI-21111)



Product description

Indirect - 1 side

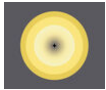


microPrim™

Luminaire Structure

- Die-cast aluminium housing
- Pre-treated before powder coating ensuring high corrosion resistance
- Extruded aluminium column
- Stainless steel fasteners in grade 304 with zinc flake coating (ZFC)
- Durable silicone rubber gasket
- Clear toughened glass
- Integral control gear
- Integral control gear installed in the spigot cover post top

Optic



G

Product colour



Special finishes upon request



MIC 3 (MI-21111)

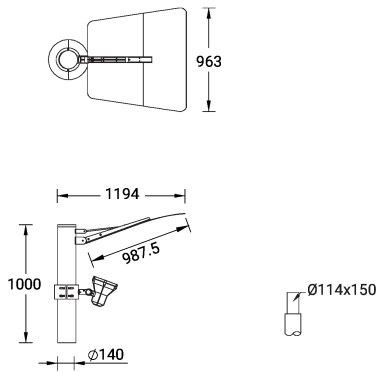
Technical information

Material	Aluminium
Light source	24 LED
Power	38 W
Lumen	2148 - 2403 lm
Efficacy	57 - 63 lm/W
Driver option	Integral control gear

Driver	Constant current (CC)
Input voltage	220-240 V 50/60 Hz
Optic	G
Optic value	111°x 98°
CCT / CRI	3000K CRI80, 4000K CRI80
Dimming type	On/Off, 1-10V, DALI

Product colours	Black, Dark Grey, White, Matt Silver, Bronze, Concrete - Urban, Softscape - Urban, Stone - Urban, Corten - Urban, Oak - Woodland, Walnut - Woodland, Pine - Woodland
Weight	33.9 kg
Operating temperature	-20 °C to 40 °C
Lens / Reflector / Optic	Clear toughened glass
Variants (1-10V, DALI)	Compatible with EN/ IEC 60598-2-22: Suitable for emergency installations as central supply, non-maintained (Z0)

MI-21111



MIC 3 (MI-21111)

Accessory



DALI Control System
Control-DALI
