

LIGHTSOFT 5 (LH-31146)



Product description

Round

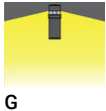


microPrim™

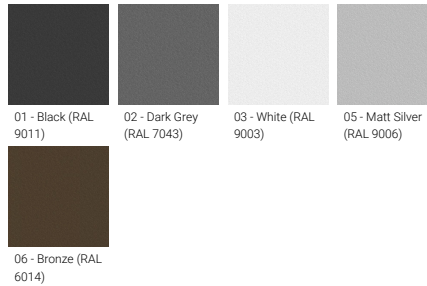
Luminaire Structure

- Die-cast aluminium housing
- Extruded aluminium column
- Pre-treated before powder coating ensuring high corrosion resistance
- Single cable entry
- Stainless steel fasteners in grade 304 with zinc flake coating (ZFC)
- Durable silicone rubber gasket
- Clear UV-stabilised polycarbonate diffuser
- Anodised, high-purity aluminium reflector
- Integral control gear
- Optional surface mounting box for easy wiring or conduit connection when wiring from behind is not possible

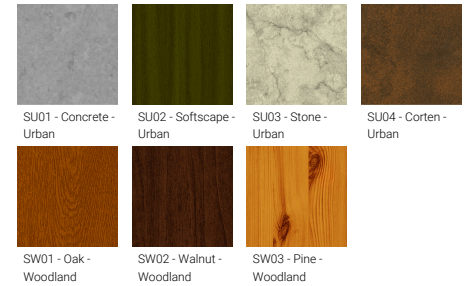
Optic



Product colour



Special finishes upon request



LIGHTSOFT 5 (LH-31146)

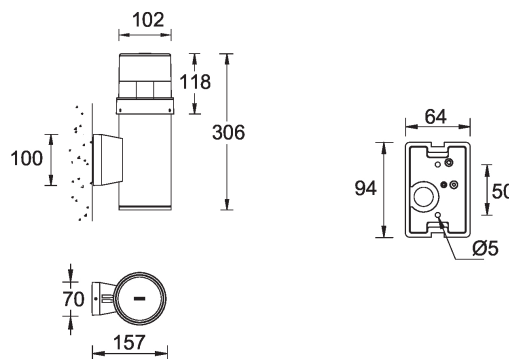
Technical information

Material	Aluminium
Light source	1 COB
Power	14 W
Lumen	408 - 447 lm
Efficacy	29 - 32 lm/W
Driver option	Integral control gear
Driver	Constant current (CC)
Input voltage	220-240 V 50/60 Hz

Optic	G
Optic value	125°
CCT / CRI	2700K CRI80, 3000K CRI80, 4000K CRI80
Bug	B0-U3-G0
ULR	<1%
ULOR	<1%
CIE flux code n°3	90
Dimming type	On/Off

Product colours	Black, Dark Grey, White, Matt Silver, Bronze, Concrete - Urban, Softscape - Urban, Stone - Urban, Corten - Urban, Oak - Woodland, Walnut - Woodland, Pine - Woodland
Weight	2.0 kg
Operating temperature	-20 °C to 40 °C
Through wiring	Single cable entry
Lens / Reflector / Optic	Clear UV-stabilised polycarbonate diffuser, Anodised, high-purity aluminium reflector
MacAdam Ellipse	3 SDCM
Lifetime L90B10 (hours)	> 55,000
Variants (On/Off)	Compatible with EN/ IEC 60598-2-22: Suitable for emergency installations as central supply, non-maintained (Z0)

LH-31146



LIGHTSOFT 5 (LH-31146)**Accessory**



Surface mounting box for easy
cabling (LIGHTSOFT 5)
SCE-LIGHTSOFT-5



DALI Control System
Control-DALI
