

BAMBOO 1 (BA-31166)



Product description

Round

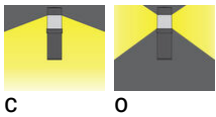


microPrim™

Luminaire Structure

- Die-cast aluminium housing
- Extruded aluminium column
- Pre-treated before powder coating ensuring high corrosion resistance
- Single cable entry
- Stainless steel fasteners in grade 304 with zinc flake coating (ZFC)
- Durable silicone rubber gasket
- Clear prismatic acrylic PMMA diffuser or opal UV-stabilised polycarbonate diffuser
- Integral control gear
- Optional surface mounting box for easy wiring or conduit connection when wiring from behind is not possible

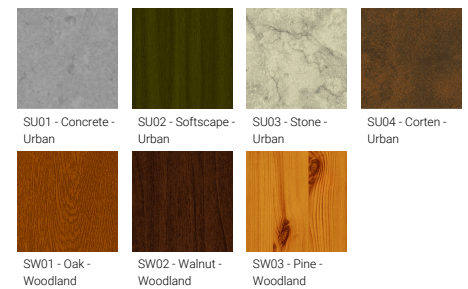
Optic



Product colour



Special finishes upon request

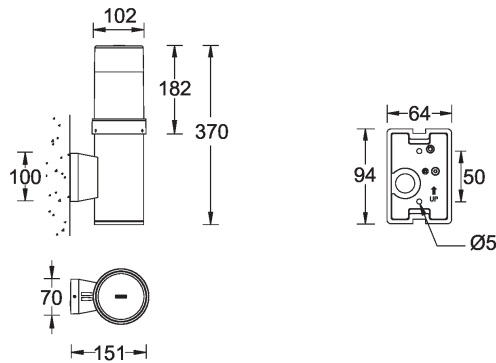


BAMBOO 1 (BA-31166)

Technical information

Material	Aluminium	Optic	C, O	Product colours	Black, Dark Grey, White, Matt Silver, Bronze, Concrete - Urban, Softscape - Urban, Stone - Urban, Corten - Urban, Oak - Woodland, Walnut - Woodland, Pine - Woodland
Light source	1 COB	Optic value	127°x140°, 360°	Weight	2.3 kg
Power	14 W	CCT / CRI	3000K CRI80, 4000K CRI80	Operating temperature	-20 °C to 40 °C
Lumen	341 - 563 lm	Bug	B0-U2-G0, B0-U3-G1	Through wiring	Single cable entry
Efficacy	23 - 38 lm/W	ULR	50%, 7%	Lens / Reflector / Optic	Clear prismatic acrylic PMMA diffuser or opal UV-stabilised polycarbonate diffuser
Driver option	Integral control gear	ULOR	50%, 7%	MacAdam Ellipse	3 SDCM
Driver	Constant current (CC)	CIE flux code n°3	67, 92	Lifetime L90B10 (hours)	> 55,000
Input voltage	220-240 V 50/60 Hz	Dimming type	On/Off, 1-10V, DALI	Variants (On/Off, 1-10V, DALI)	Compatible with EN/ IEC 60598-2-22: Suitable for emergency installations as central supply, non-maintained (Z0)

BA-31166



BAMBOO 1 (BA-31166)**Accessory**



Surface mounting box for easy
cabling (BAMBOO 1)
SCE-BAMBOO-1



DALI Control System
Control-DALI
