

**FORREY 31 (FOR-95071)**



**Product description**

Ø268 - 1203 mm - With opal diffuser



microPrim™

**Luminaire Structure**

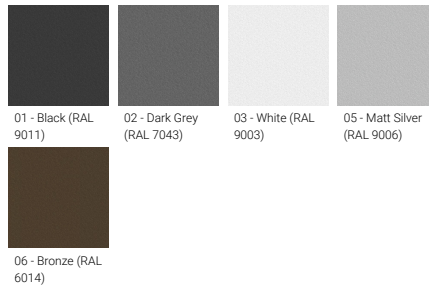
- Die-cast aluminium housing and frame
- Pre-treated before powder coating ensuring high corrosion resistance
- Models with shade will have colour white coating at inside of shade luminaire and outside surface coating according to colour of luminaire
- Two cable entries for through wiring
- Stainless steel fasteners in grade 304 with zinc flake coating (ZFC)
- Durable silicone rubber gasket
- Opal UV-stabilised polycarbonate diffuser
- Integral control gear
- FORREY luminaires with opal lens and colder than 3000K CCT do not meet the IDA certification requirements

**Optic**

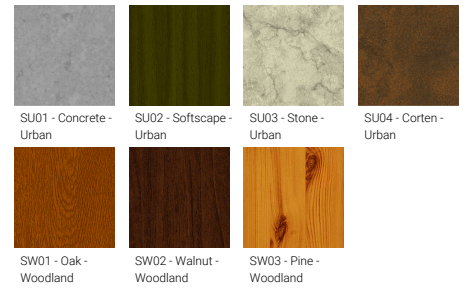


G

**Product colour**



**Special finishes upon request**



**FORREY 31** (FOR-95071)

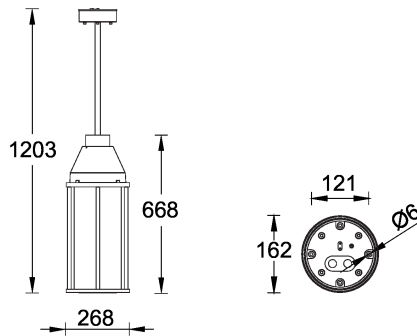
**Technical information**

<b>Material</b>	Aluminium
<b>Light source</b>	180 LED
<b>Power</b>	60 W
<b>Lumen</b>	4234 - 4553 lm
<b>Efficacy</b>	71 - 76 lm/W
<b>Driver option</b>	Integral control gear
<b>Driver</b>	Constant current (CC)
<b>Input voltage</b>	220-240 V 50/60 Hz

<b>Optic</b>	G
<b>Optic value</b>	360°
<b>CCT / CRI</b>	3000K, 4000K
<b>Dimming type</b>	On/Off, 1-10V, DALI
<b>Product colours</b>	Black, Dark Grey, White, Matt Silver, Bronze, Concrete - Urban, Softscape - Urban, Stone - Urban, Corten - Urban, Oak - Woodland, Walnut - Woodland, Pine - Woodland
<b>Weight</b>	11.1 kg
<b>Operating temperature</b>	-20 °C to 50 °C
<b>EPA (m2)</b>	0.197

<b>Through wiring</b>	Two cable entries for through wiring
<b>Lens / Reflector / Optic</b>	Opal UV-stabilised polycarbonate diffuser
<b>MacAdam Ellipse</b>	3 SDCM
<b>Lifetime L90B10 (hours)</b>	> 23,000
<b>Lifetime L80B10 (hours)</b>	> 45,000
<b>Lifetime L80B50 (hours)</b>	> 49,000
<b>Variants (On/Off, 1-10V, DALI)</b>	Compatible with EN/ IEC 60598-2-22: Suitable for emergency installations as central supply, non-maintained (Z0)

FOR-95071



**FORREY 31** (FOR-95071)

**Accessory**

---



DALI Control System  
**Control-DALI**

---