

STEAMER 12 (SE-90031)



Product description

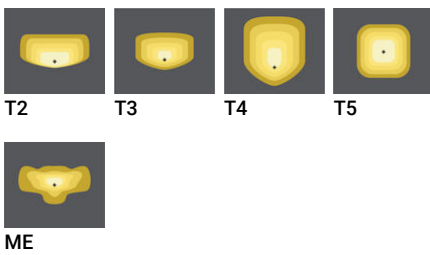
Round - Large



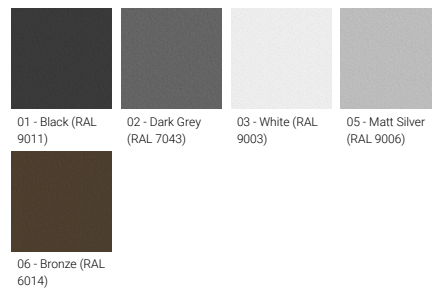
Luminaire Structure

- Die-cast aluminium housing
- Pre-treated before powder coating ensuring high corrosion resistance
- Single cable entry
- One IP68 connector supplied with 0.5 m of 3x1.0 sqmm outdoor cable
- Stainless steel fasteners in grade 304 with zinc flake coating (ZFC)
- Durable silicone rubber gasket
- Clear toughened glass
- High-efficiency PMMA lens
- Integral control gear
- Surge protection 10kV

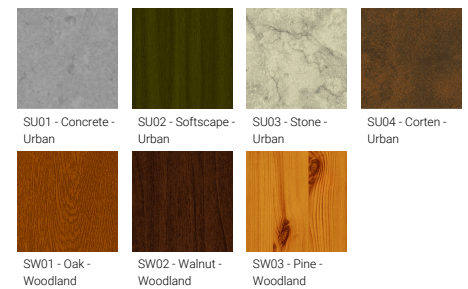
Optic



Product colour



Special finishes upon request



STEAMER 12 (SE-90031)

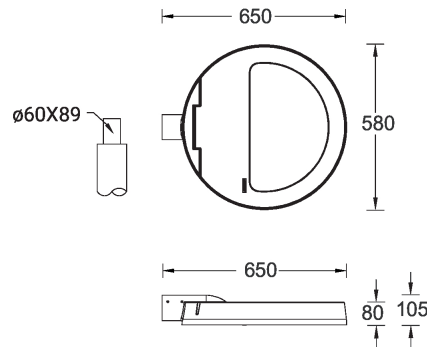
Technical information

Material	Aluminium
Light source	18 LED
Power	157 W
Lumen	11398 - 15997 lm
Efficacy	73 - 102 lm/W
Driver option	Integral control gear
Driver	Constant current (CC)
Input voltage	220-240 V 50/60 Hz

Optic	T2, T3, T4, T5, ME
Optic value	142°x42°, 141°x47°, 95°x84°, 88°x140°, 136°x39°
Dimming type	On/Off, 1-10V, DALI
Product colours	Black, Dark Grey, White, Matt Silver, Bronze, Concrete - Urban, Softscape - Urban, Stone - Urban, Corten - Urban, Oak - Woodland, Walnut - Woodland, Pine - Woodland
Weight	10.1 kg
Operating temperature	-20 °C to 50 °C
Cable	One IP68 connector supplied with 0.5 m of 3x1.0 sqmm outdoor cable
Through wiring	Single cable entry

Lens / Reflector / Optic	Clear toughened glass, High-efficiency PMMA lens
MacAdam Ellipse	3 SDCM
Lifetime L90B10 (hours)	> 109,000
Lifetime L80B10 (hours)	> 109,000
Lifetime L80B50 (hours)	> 109,000
Variants (On/Off, 1-10V, DALI)	Compatible with EN/ IEC 60598-2-22: Suitable for emergency installations as central supply, non-maintained (Z0)

SE-90031



STEAMER 12 (SE-90031)**Accessory**

Double adjustable 50°
A91760



Double arm mount
A91160



Double arm mount
A91360



Double arm mount
A91560



Motion sensor - PIR - 1-10V - Up
to 3 m
A90191-L2



Motion sensor - PIR - 1-10V - Up
to 6 m
A90191-L3



Motion sensor - PIR - 1-10V - Up
to 12 m
A90191-L7



Remote controller for the motion
sensor - 1-10V (A90191)
A90791



Single adjustable 50°
A91660



Single arm mount
A91060



Single arm mount
A91260



Single arm mount
A91460