

**JET 44** (JE-95092)



**Product description**

102x102 mm - 140 mm - Square



microPrim™

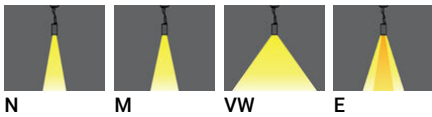
**Luminaire Structure**

- Die-cast aluminium housing
- Pre-treated before powder coating ensuring high corrosion resistance
- Two cable entries for through wiring
- Stainless steel fasteners in grade 304 with zinc flake coating (ZFC)

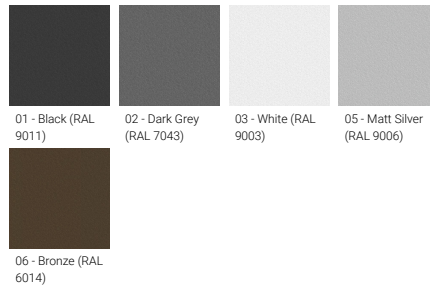
- Durable silicone rubber gasket
- High-efficiency optical reflector
- Clear toughened glass
- Integral control gear

- Stainless steel suspension kit in grade 304
- Suspension height is fully adjustable
- Optional surface mounting box for easy wiring or conduit connection when wiring from behind is not possible

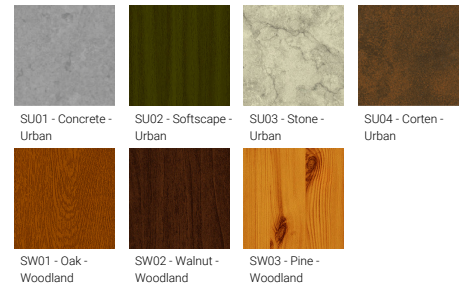
**Optic**



**Product colour**



**Special finishes upon request**



**JET 44** (JE-95092)

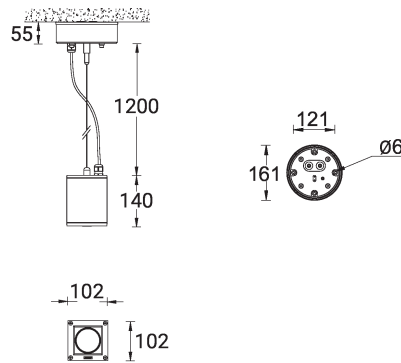
**Technical information**

<b>Material</b>	Aluminium
<b>Light source</b>	MR16-GU10
<b>Power</b>	8 W
<b>Lumen</b>	254 - 395 lm
<b>Efficacy</b>	34 - 49 lm/W
<b>Driver option</b>	Integral control gear
<b>Driver</b>	Constant current (CC)
<b>Input voltage</b>	220-240 V 50/60 Hz

<b>Optic</b>	N, M, VW, E
<b>Optic value</b>	13°, 23°, 60°, 12°x51°
<b>CCT / CRI</b>	3000K CRI95, 4000K CRI90
<b>Bug</b>	B0-U0-G0, B1-U0-G0
<b>ULR</b>	<1%
<b>ULOR</b>	<1%
<b>CIE flux code n°3</b>	100, 99
<b>Dimming type</b>	On/Off

<b>Product colours</b>	Black, Dark Grey, White, Matt Silver, Bronze, Concrete - Urban, Softscape - Urban, Stone - Urban, Corten - Urban, Oak - Woodland, Walnut - Woodland, Pine - Woodland
<b>Weight</b>	2.1 kg
<b>Operating temperature</b>	-20 °C to 50 °C
<b>EPA (m2)</b>	0.012
<b>Through wiring</b>	Two cable entries for through wiring
<b>Lens / Reflector / Optic</b>	High-efficiency optical reflector, Clear toughened glass

JE-95092



**Accessory**

---



---

Surface mounting box for easy  
cabling (JET44)  
**SCE-JET-44**

---