

**VANCOUVER 5 (VA-20022)**



**Product description**

240x240 mm - 4440 mm - Decorative pattern type 1  
(Optic) - 2 projectors (Optic 2nd ) IP65



microPrim™

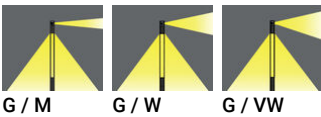
**Luminaire Structure**

- Die-cast aluminium housing
- Extruded aluminium column
- Pre-treated before powder coating ensuring high corrosion resistance
- Single cable entry
- One IP68 connector supplied with 0.3 m of 3x1.0 sqmm outdoor cable

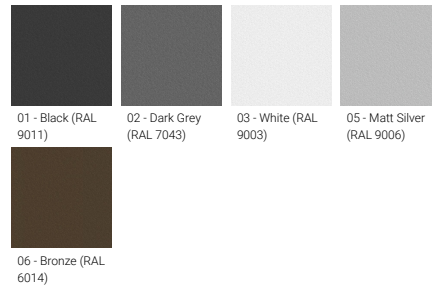
- Stainless steel fasteners in grade 304 with zinc flake coating (ZFC)
- Durable silicone rubber gasket
- High-efficiency optical reflector
- Clear toughened glass
- Integral control gear

- Maximum wind load resistance is 160 km/h
- Surge protection 10kV
- VANCOUVER luminaires with projectors on top and colder than 3000K CCT do not meet the IDA certification requirements

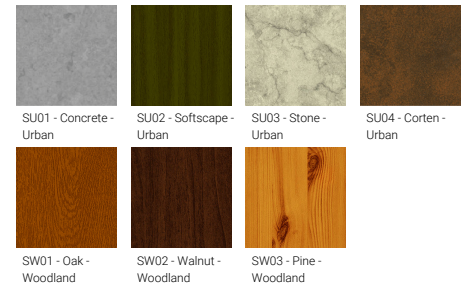
**Optic**



**Product colour**



**Special finishes upon request**



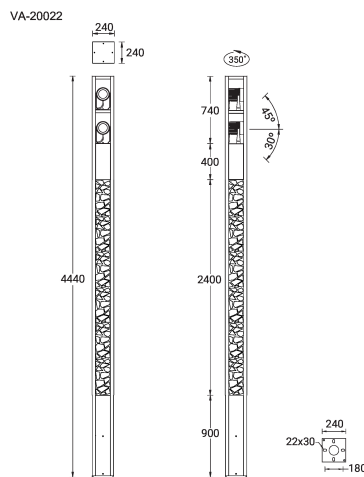
**VANCOUVER 5 (VA-20022)**

**Technical information**

<b>Material</b>	Aluminium
<b>Light source</b>	1 COB & 2 x 1 COB (Projectors)
<b>Power</b>	82 W
<b>Lumen</b>	4554 - 4712 lm
<b>Efficacy</b>	56 - 57 lm/W
<b>Driver option</b>	Integral control gear
<b>Driver</b>	Constant current (CC)
<b>Input voltage</b>	220-240 V 50/60 Hz
<b>Optic</b>	G
<b>Optic value</b>	64°

<b>Optic (2nd)</b>	M, W, VW
<b>Optic (2nd) value</b>	23°, 32°, 43°
<b>CCT / CRI</b>	3000K CRI80, 4000K CRI80
<b>Bug</b>	B2-U0-G0
<b>ULR</b>	2%
<b>ULOR</b>	2%
<b>CIE flux code n°3</b>	100
<b>Dimming type</b>	On/Off, 1-10V, DALI
<b>Product colours</b>	Black, Dark Grey, White, Matt Silver, Bronze, Concrete - Urban, Softscape - Urban, Stone - Urban, Corten - Urban, Oak - Woodland, Walnut - Woodland, Pine - Woodland
<b>Weight</b>	56.6 kg

<b>Operating temperature</b>	-20 °C to 40 °C
<b>EPA (m2)</b>	1.066
<b>Cable</b>	One IP68 connector supplied with 0.3 m of 3x1.0 sqmm outdoor cable
<b>Through wiring</b>	Single cable entry
<b>Lens / Reflector / Optic</b>	High-efficiency optical reflector, Clear toughened glass
<b>MacAdam Ellipse</b>	3 SDCM
<b>Lifetime L90B10 (hours)</b>	> 50,700
<b>Lifetime L80B10 (hours)</b>	> 63,500
<b>Lifetime L80B50 (hours)</b>	> 63,500
<b>Variants (On/Off, 1-10V, DALI)</b>	Compatible with EN/ IEC 60598-2-22: Suitable for emergency installations as central supply, non-maintained (Z0)



**VANCOUVER 5 (VA-20022)****Accessory**

---



Circuit breaker box IP44  
**A21291**



Root mount kit  
**A21391**



DALI Control System  
**Control-DALI**