

**MARVIK 6 (MV-30052)**



**Product description**

Ø150 - 240 mm - Down (Optic) & Up (Optic 2nd)



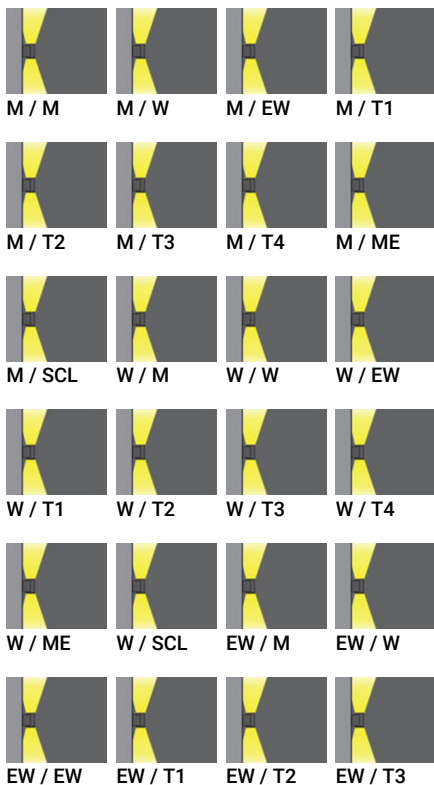
**Luminaire Structure**

- Die-cast aluminium housing and frame
- Pre-treated before powder coating ensuring high corrosion resistance
- Single cable entry
- Stainless steel fasteners in grade 304 with zinc flake coating (ZFC)

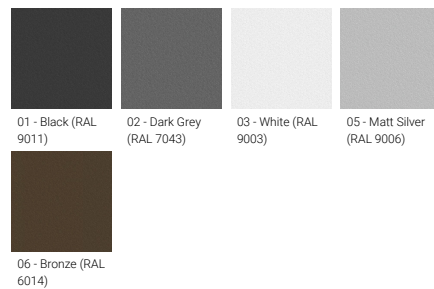
- Durable silicone rubber gasket
- Clear toughened glass
- Integral control gear
- Optional surface mounting box for easy wiring or conduit connection when wiring from behind is not possible

- MARVIK luminaires with uplight and colder than 3000K CCT do not meet the IDA certification requirements

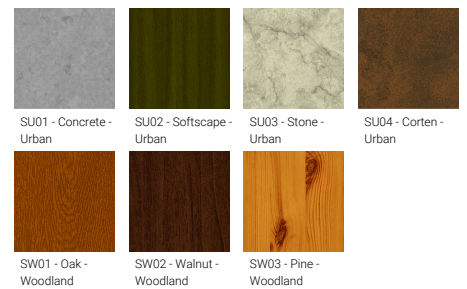
**Optic**



**Product colour**



**Special finishes upon request**



**MARVIK 6 (MV-30052)**



We reserve the right to make technical and design changes.

02:16, 18-03-2026

<https://www.ligman.com/marvik-6-mv-30052/>

**THAILAND**  
 LIGMAN Lighting Co.,Ltd.  
 17/2 Moo 4, Monthong, Bang Nam Prio, 24150 Chachoengsao - Thailand  
[info@ligman.com](mailto:info@ligman.com)



**MARVIK 6 (MV-30052)**



SCL / SCL

**MARVIK 6 (MV-30052)**

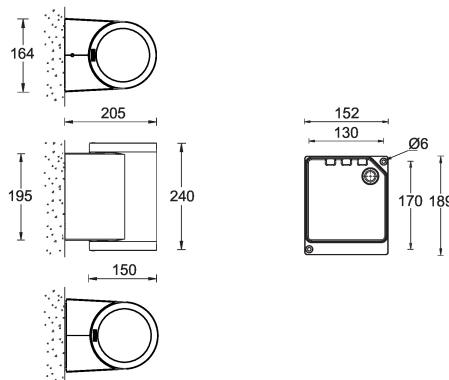
**Technical information**

<b>Material</b>	Aluminium
<b>Light source</b>	8 & 8 LED
<b>Power</b>	38 W
<b>Lumen</b>	3500 - 4620 lm
<b>Efficacy</b>	92 - 122 lm/W
<b>Driver option</b>	Integral control gear
<b>Driver</b>	Constant current (CC)
<b>Input voltage</b>	220-240 V 50/60 Hz
<b>Optic</b>	M, W, EW, T1, T2, T3, T4, ME, SCL

<b>Optic value</b>	31°, 56°, 115°x109°, 146°x70°, 136°x48°, 134°x78°, 103°x73°, 134°x61°, 145°x60°
<b>Optic (2nd)</b>	M, W, EW, T1, T2, T3, T4, ME, SCL
<b>Optic (2nd) value</b>	31°, 56°, 115°x109°, 146°x70°, 136°x48°, 134°x78°, 103°x73°, 134°x61°, 145°x60°
<b>CCT / CRI</b>	2700K CRI80, 3000K CRI80, 4000K CRI80
<b>Bug</b>	B1-U5-G0, B1-U5-G1, B2-U5-G0
<b>ULR</b>	46%, 47%, 48%, 49%, 50%, 51%, 52%, 53%, 54%
<b>ULOR</b>	46%, 47%, 48%, 49%, 50%, 51%, 52%, 53%, 54%
<b>Dimming type</b>	On/Off, 1-10V, DALI
<b>Product colours</b>	Black, Dark Grey, White, Matt Silver, Bronze, Concrete - Urban, Softscape - Urban, Stone - Urban, Corten - Urban, Oak - Woodland, Walnut - Woodland, Pine - Woodland

<b>Weight</b>	5.3 kg
<b>Operating temperature</b>	-20 °C to 40 °C
<b>Through wiring</b>	Single cable entry
<b>Lens / Reflector / Optic</b>	Clear toughened glass
<b>MacAdam Ellipse</b>	3 SDCM
<b>Lifetime L90B10 (hours)</b>	> 90,000
<b>Lifetime L80B10 (hours)</b>	> 90,000
<b>Lifetime L80B50 (hours)</b>	> 90,000
<b>Variants (1-10V, DALI)</b>	Compatible with EN/ IEC 60598-2-22: Suitable for emergency installations as central supply, non-maintained (Z0)

**MV-30052**



**MARVIK 6 (MV-30052)****Accessory**

---



---

Surface mounting box for easy  
cabling (MARVIK 6)  
**SCE-MARVIK-6**

---



---

DALI Control System  
**Control-DALI**

---