

QUANTUM 2 (QA-21035)



Product description

2 sides - RGBW



microVos microPrim™

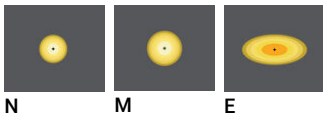
Luminaire Structure

- Die-cast aluminium housing
- Pre-treated before powder coating ensuring high corrosion resistance
- Single cable entry
- One cable gland supplied with 0.5 m of 3x1.0 sqmm outdoor cable

- Stainless steel fasteners in grade 304 with zinc flake coating (ZFC)
- Durable silicone rubber gasket
- High-efficiency PMMA lens
- Clear toughened glass

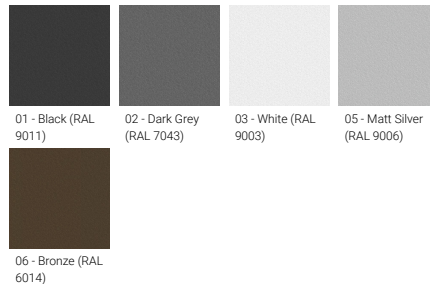
- Integral control gear
- Surge protection 10kV

Optic



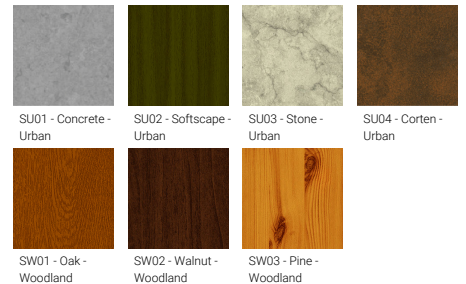
N M E

Product colour



01 - Black (RAL 9011) 02 - Dark Grey (RAL 7043) 03 - White (RAL 9003) 05 - Matt Silver (RAL 9006) 06 - Bronze (RAL 6014)

Special finishes upon request



SU01 - Concrete - Urban SU02 - Softscape - Urban SU03 - Stone - Urban SU04 - Corten - Urban SW01 - Oak - Woodland SW02 - Walnut - Woodland SW03 - Pine - Woodland

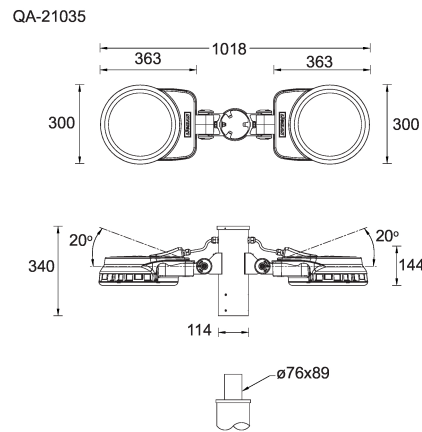
QUANTUM 2 (QA-21035)

Technical information

Material	Aluminium
Light source	2 x 18 LED
Power	154 W
Lumen	6678 - 8592 lm
Efficacy	43 - 56 lm/W
Driver option	Integral control gear
Driver	Constant current (CC)
Input voltage	220-240 V 50/60 Hz

Optic	N, M, E
Optic value	20°, 35°, 25° x 48°
CCT / CRI	RGBW30, RGBW40
Bug	B3-U1-G0
ULR	<1%
ULOR	<1%
CIE flux code n°3	100
Dimming type	DMX, DMX/RDM

Product colours	Black, Dark Grey, White, Matt Silver, Bronze, Concrete - Urban, Softscape - Urban, Stone - Urban, Corten - Urban, Oak - Woodland, Walnut - Woodland, Pine - Woodland
Weight	20.0 kg
Operating temperature	-20 °C to 40 °C
EPA (m2)	0.154
Cable	One cable gland supplied with 0.5 m of 3x1.0 sqmm outdoor cable
Through wiring	Single cable entry
Lens / Reflector / Optic	High-efficiency PMMA lens, Clear toughened glass
Variants (DMX/RDM)	Compatible with EN/ IEC 60598-2-22: Suitable for emergency installations as central supply, non-maintained (Z0)



QUANTUM 2 (QA-21035)

Accessory



DMX Control System
Control-DMX



DMX/RDM Control System
Control-DMX-RDM
