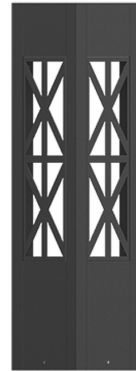


**VANCOUVER 12 (VA-10031)**



**Product description**

240x240 mm - 1000 mm - Decorative pattern type 2



microPrim™

**Luminaire Structure**

- Die-cast aluminium housing
- Extruded aluminium column
- Pre-treated before powder coating ensuring high corrosion resistance
- Single cable entry

- One IP68 connector supplied with 0.2 m of 3x1.0 sqmm outdoor cable
- Stainless steel fasteners in grade 304 with zinc flake coating (ZFC)
- Durable silicone rubber gasket
- High-efficiency optical reflector

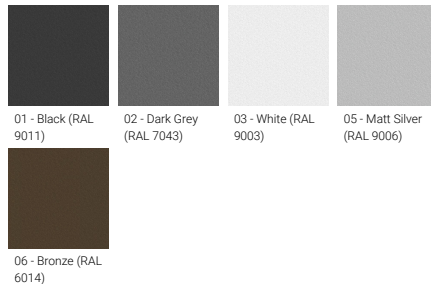
- Clear toughened glass
- Integral control gear

**Optic**

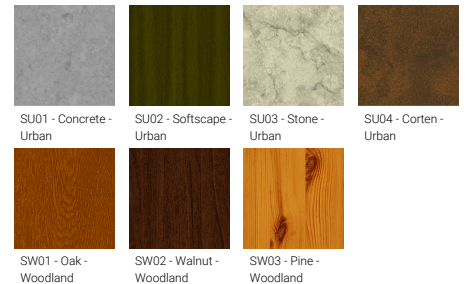


G

**Product colour**



**Special finishes upon request**



**VANCOUVER 12 (VA-10031)**

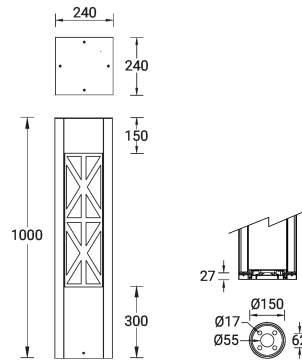
**Technical information**

|                      |                       |
|----------------------|-----------------------|
| <b>Material</b>      | Aluminium             |
| <b>Light source</b>  | 1 COB                 |
| <b>Power</b>         | 21 W                  |
| <b>Lumen</b>         | 459 - 490 lm          |
| <b>Efficacy</b>      | 22 - 23 lm/W          |
| <b>Driver option</b> | Integral control gear |
| <b>Driver</b>        | Constant current (CC) |
| <b>Input voltage</b> | 220-240 V 50/60 Hz    |
| <b>Optic</b>         | G                     |

|                          |  |
|--------------------------|--|
| <b>Optic value</b>       | 56°  |
| <b>CCT / CRI</b>         | 3000K CRI80, 4000K CRI80   |
| <b>Bug</b>               | B1-U1-G0   |
| <b>ULR</b>               | 2%   |
| <b>ULOR</b>              | 2%   |
| <b>CIE flux code n°3</b> | 99   |
| <b>Dimming type</b>      | On/Off, 1-10V, DALI  |
| <b>Product colours</b>   | Black, Dark Grey, White, Matt Silver, Bronze, Concrete - Urban, Softscape - Urban, Stone - Urban, Corten - Urban, Oak - Woodland, Walnut - Woodland, Pine - Woodland |
| <b>Weight</b>            | 15.8 kg  |

|  |   |
|--|---|
| <b>Operating temperature</b>                   | -20 °C to 40 °C   |
| <b>Cable</b>                                   | One IP68 connector supplied with 0.2 m of 3x1.0 sqmm outdoor cable  |
| <b>Through wiring</b>                          | Single cable entry  |
| <b>Lens / Reflector / Optic</b>                | High-efficiency optical reflector, Clear toughened glass  |
| <b>MacAdam Ellipse Lifetime L90B10 (hours)</b> | 3 SDCM<br>> 61,000  |
| <b>Variants (On/Off, 1-10V, DALI)</b>          | Compatible with EN/ IEC 60598-2-22: Suitable for emergency installations as central supply, non-maintained (Z0) |

VA-10031



**VANCOUVER 12** (VA-10031)**Accessory**

---



Anchor bolt  
**A10291**



DALI Control System  
**Control-DALI**