

MUSTANG 37 (MS-91131)



microVos microPrim™

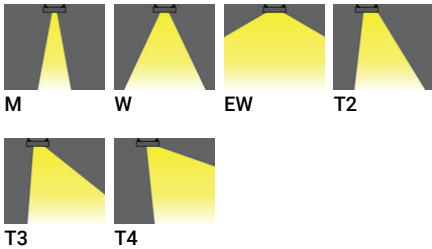
Luminaire Structure

- Formed sheet aluminium housing
- Pre-treated before powder coating ensuring high corrosion resistance
- Single cable entry, through wiring upon request

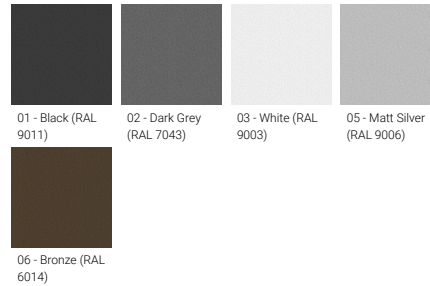
- Stainless steel fasteners in grade 304 with zinc flake coating (ZFC)
- Durable silicone rubber gasket
- Clear toughened glass

- Integral control gear

Optic



Product colour



Special finishes upon request

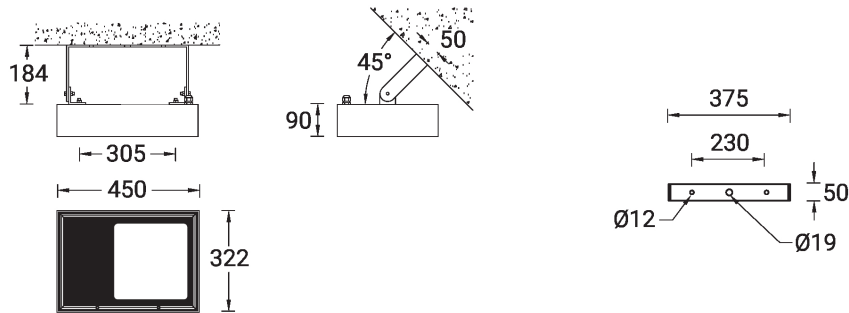


MUSTANG 37 (MS-91131)

Technical information

Material	Aluminium	Optic value	30°, 52°, 108°, 143°x47°, 140°x71°, 100°x81°	Operating temperature	-20 °C to 40 °C
Light source	24 LED	CCT / CRI	3000K CRI80, 4000K CRI80	Through wiring	Single cable entry, through wiring upon request
Power	38 W	Bug	B1-U0-G1, B2-U0-G0, B3-U0-G0	Lens / Reflector / Optic	Clear toughened glass
Lumen	4260 - 4917 lm	ULR	0%, <1%	MacAdam Ellipse	3 SDCM
Efficacy	112 - 129 lm/W	ULOR	0%, <1%	Lifetime L90B10 (hours)	> 90,000
Driver option	Integral control gear	CIE flux code n°3	97, 99	Lifetime L80B10 (hours)	> 90,000
Driver	Constant current (CC)	Dimming type	On/Off, 1-10V, DALI	Lifetime L80B50 (hours)	> 90,000
Input voltage	220-240 V 50/60 Hz	Product colours	Black, Dark Grey, White, Matt Silver, Bronze, Concrete - Urban, Softscape - Urban, Stone - Urban, Corten - Urban, Oak - Woodland, Walnut - Woodland, Pine - Woodland	Variants (1-10V, DALI)	Compatible with EN/ IEC 60598-2-22: Suitable for emergency installations as central supply, non-maintained (Z0)
Optic	M, W, EW, T2, T3, T4		Weight		

MS-91131



MUSTANG 37 (MS-91131)

Accessory



DALI Control System
Control-DALI
