

EDINBURGH 2 (EDB-50011)



Product description

Rectangular fixed-base - IP66



microPrim™

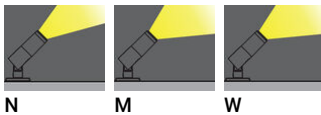
Luminaire Structure

- Die-cast aluminium housing
- Pre-treated before powder coating ensuring high corrosion resistance
- Adjustable: Tilt 90° (Up) & 20° (Down), Rotation 350°
- Single cable entry. Through wiring upon request with optional surface mounting box accessory

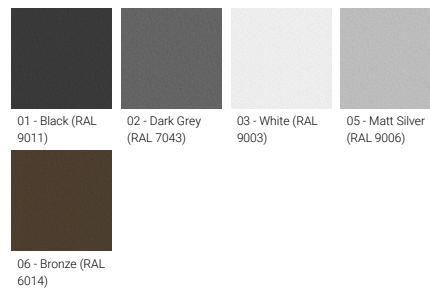
- One cable gland supplied with 0.5 m of 3x1.0 sqmm outdoor cable
- Stainless steel fasteners in grade 304 with zinc flake coating (ZFC)
- Durable silicone rubber gasket
- High-efficiency PMMA lens

- Clear toughened glass
- Integral control gear

Optic



Product colour



Special finishes upon request



EDINBURGH 2 (EDB-50011)

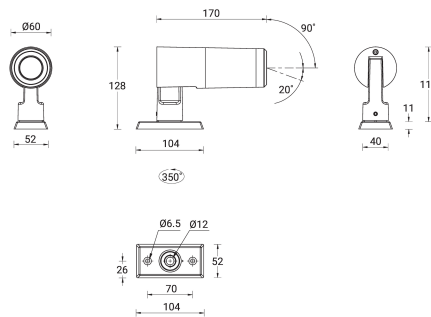
Technical information

Material	Aluminium
Light source	3 LED
Power	8 W
Lumen	632 - 851 lm
Efficacy	79 - 106 lm/W
Driver option	Integral control gear
Driver	Constant current (CC)
Input voltage	220-240V 50/60Hz
Optic	N, M, W

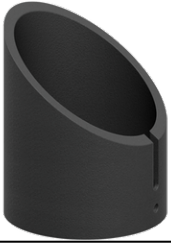
Optic value	24°, 30°, 47°
CCT / CRI	2700K CRI80, 3000K CRI80, 4000K CRI80
Bug	B1-U0-G0
ULR	<1%
ULOR	<1%
CIE flux code n°3	100
Dimming type	On/Off
Product colours	Black, Dark Grey, White, Matt Silver, Bronze, Concrete - Urban, Softscape - Urban, Stone - Urban, Corten - Urban, Oak - Woodland, Walnut - Woodland, Pine - Woodland
Weight	1.1 kg

Operating temperature	-20 °C to 50 °C
EPA (m2)	0.014
Cable	One cable gland supplied with 0.5 m of 3x1.0 sqmm outdoor cable
Through wiring	Single cable entry. Through wiring upon request with optional surface mounting box accessory
Lens / Reflector / Optic	High-efficiency PMMA lens, Clear toughened glass
MacAdam Ellipse	3 SDCM
Lifetime L90B10 (hours)	> 120,000
Lifetime L80B10 (hours)	> 120,000
Lifetime L80B50 (hours)	> 120,000

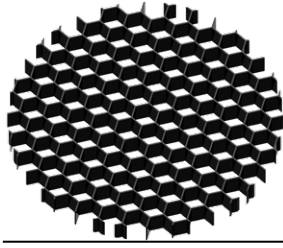
EDB-50011



EDINBURGH 2 (EDB-50011)**Accessory**



Anti-glare visor
A55331



Honeycomb louvre
A57521

Please contact the factory for technical details if you wish to use Anti-glare accessories, Colour filters, Lenses and slip glasses in combination.