

**SIENA 1 (SIE-80001)**



**Product description**

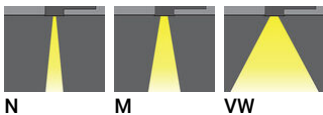
Ø150 mm



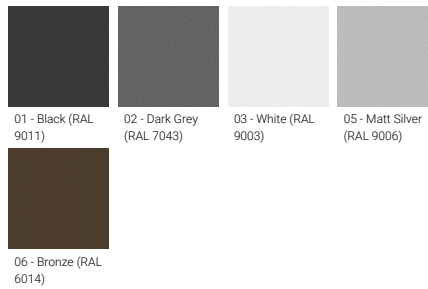
**Luminaire Structure**

- Die-cast aluminium housing
- Pre-treated before powder coating ensuring high corrosion resistance
- Single cable entry or two cable entries for through wiring upon request
- One IP68 connector supplied with 0.2 m of 3x1.0 sqmm outdoor cable
- Stainless steel fasteners in grade 304 with zinc flake coating (ZFC)
- Durable silicone rubber gasket
- High-efficiency PMMA lens
- Clear toughened glass
- Integral control gear

**Optic**



**Product colour**



**SIENA 1 (SIE-80001)**

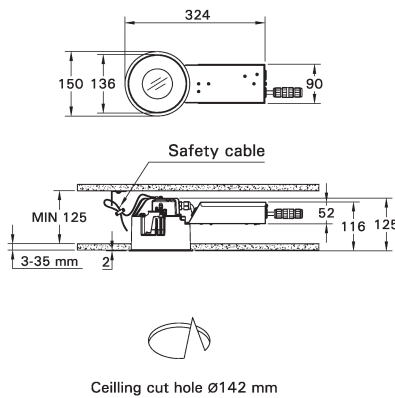
**Technical information**

<b>Material</b>	Aluminium
<b>Light source</b>	1 COB
<b>Power</b>	19 W
<b>Lumen</b>	1753 - 2208 lm
<b>Efficacy</b>	92 - 116 lm/W
<b>Driver option</b>	Integral control gear
<b>Driver</b>	Constant current (CC)
<b>Input voltage</b>	220-240V 50/60Hz

<b>Optic</b>	N, M, VW
<b>Optic value</b>	20°, 33°, 57°
<b>CCT / CRI</b>	2700K CRI80, 3000K CRI80, 4000K CRI80
<b>Bug</b>	B2-U0-G0, B3-U0-G0
<b>ULR</b>	<1%
<b>ULOR</b>	0%, <1%
<b>CIE flux code n°3</b>	100
<b>Dimming type</b>	On/Off, 1-10V, DALI

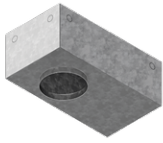
<b>Product colours</b>	Black, Dark Grey, White, Matt Silver, Bronze
<b>Weight</b>	1.9 kg
<b>Operating temperature</b>	-20 °C to 50°C
<b>Cable</b>	One IP68 connector supplied with 0.2 m of 3x1.0 sqmm outdoor cable
<b>Through wiring</b>	Single cable entry or two cable entries for through wiring upon request
<b>Lens / Reflector / Optic</b>	High-efficiency PMMA lens, Clear toughened glass
<b>MacAdam Ellipse</b>	3 SDCM
<b>Variants (On/Off, 1-10V, DALI)</b>	Compatible with EN/ IEC 60598-2-22: Suitable for emergency installations as central supply, non-maintained (Z0)

SIE-80001



**SIENA 1** (SIE-80001)**Accessory**

---



---

Concrete box for SIENA 1  
**A83481**

---



---

Tray ceiling for SIENA 1  
**A83581**

---



---

Compensation kit for SIENA 1  
**A83681**

---



---

Cover plate for SIENA 1  
**A83781**

---



---

Ceiling reinforcement ring set for  
SIENA 1  
**A83881**

---