

SIENA 1 (SIE-80012)



Product description

Ø150 mm



Luminaire Structure

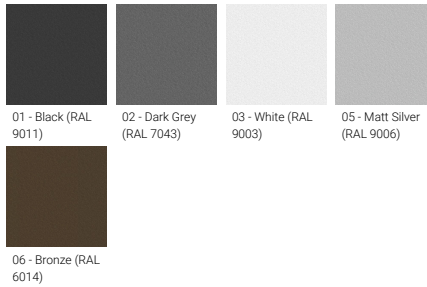
- Die-cast aluminium housing
- Pre-treated before powder coating ensuring high corrosion resistance
- Single cable entry or two cable entries for through wiring upon request
- One IP68 connector supplied with 0.2 m of 3x1.0 sqmm outdoor cable
- Stainless steel fasteners in grade 304 with zinc flake coating (ZFC)
- Durable silicone rubber gasket
- High-efficiency PMMA lens
- Clear toughened glass
- Integral control gear

Optic



AS

Product colour



SIENA 1 (SIE-80012)

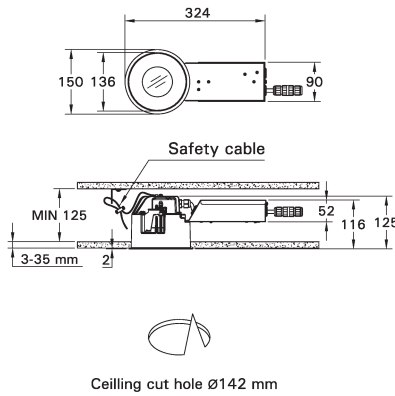
Technical information

Material	Aluminium
Light source	1 COB
Power	19 W
Lumen	1207 - 1323 lm
Efficacy	64 - 70 lm/W
Driver option	Integral control gear
Driver	Constant current (CC)
Input voltage	220-240V 50/60Hz

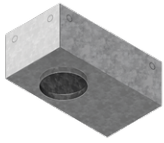
Optic	AS
Optic value	66°x41°
CCT / CRI	2700K CRI80, 3000K CRI80, 4000K CRI80
Bug	B1-U0-G0
ULR	<1%
ULOR	0%, <1%
CIE flux code n°3	99
Dimming type	On/Off, 1-10V, DALI

Product colours	Black, Dark Grey, White, Matt Silver, Bronze
Weight	2.3 kg
Operating temperature	-20 °C to 50°C
Cable	One IP68 connector supplied with 0.2 m of 3x1.0 sqmm outdoor cable
Through wiring	Single cable entry or two cable entries for through wiring upon request
Lens / Reflector / Optic	High-efficiency PMMA lens, Clear toughened glass
MacAdam Ellipse	3 SDCM
Variants (On/Off, 1-10V, DALI)	Compatible with EN/ IEC 60598-2-22: Suitable for emergency installations as central supply, non-maintained (Z0)

SIE-80012



SIENA 1 (SIE-80012)**Accessory**



Concrete box for SIENA 1
A83481



Tray ceiling for SIENA 1
A83581



Compensation kit for SIENA 1
A83681



Cover plate for SIENA 1
A83781



Ceiling reinforcement ring set for
SIENA 1
A83881
