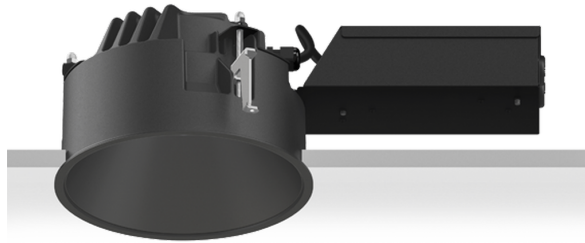


SIENA 2 (SIE-80021)



Product description

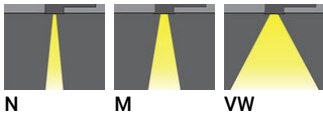
Ø200 mm



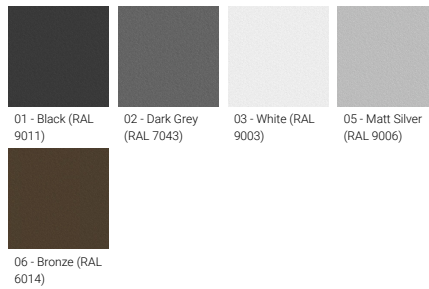
Luminaire Structure

- Die-cast aluminium housing
- Pre-treated before powder coating ensuring high corrosion resistance
- Single cable entry or two cable entries for through wiring upon request
- One IP68 connector supplied with 0.2 m of 3x1.0 sqmm outdoor cable
- Stainless steel fasteners in grade 304 with zinc flake coating (ZFC)
- Durable silicone rubber gasket
- High-efficiency PMMA lens
- Clear toughened glass
- Integral control gear

Optic



Product colour



SIENA 2 (SIE-80021)

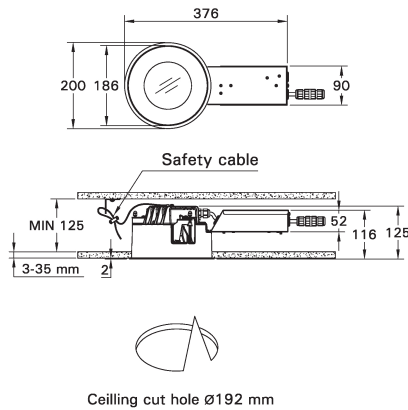
Technical information

Material	Aluminium
Light source	1 COB
Power	40 W
Lumen	4085 - 4852 lm
Efficacy	102 - 128 lm/W
Driver option	Integral control gear
Driver	Constant current (CC)
Input voltage	220-240V 50/60Hz

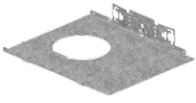
Optic	N, M, VW
Optic value	16°, 29°, 64°
CCT / CRI	2700K CRI80, 3000K CRI80, 4000K CRI80
Bug	B3-U0-G0
ULR	<1%
ULOR	<1%
CIE flux code n°3	100
Dimming type	On/Off, 1-10V, DALI

Product colours	Black, Dark Grey, White, Matt Silver, Bronze
Weight	2.7 kg
Operating temperature	-20 °C to 50°C
Cable	One IP68 connector supplied with 0.2 m of 3x1.0 sqmm outdoor cable
Through wiring	Single cable entry or two cable entries for through wiring upon request
Lens / Reflector / Optic	High-efficiency PMMA lens, Clear toughened glass
MacAdam Ellipse	3 SDCM
Variants (On/Off, 1-10V, DALI)	Compatible with EN/ IEC 60598-2-22: Suitable for emergency installations as central supply, non-maintained (Z0)

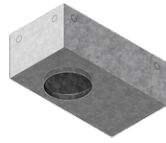
SIE-80021



SIENA 2 (SIE-80021)**Accessory**



Tray ceiling for SIENA 2
A84081



Concrete box for SIENA 2
A83981



Compensation kit for SIENA 2
A84181



Cover plate for SIENA 2
A84281



Ceiling reinforcement ring set for
SIENA 2
A84381
