

FORREY 17 (FOR-30011)



Product description

Ø660 - 707 mm - With shade & opal diffuser



microPrim™

Luminaire Structure

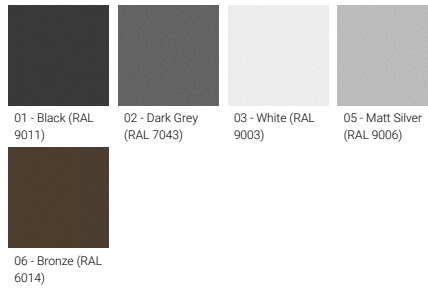
- Die-cast aluminium housing and frame
- Pre-treated before powder coating ensuring high corrosion resistance
- Models with shade will have colour white coating at inside of shade luminaire and outside surface coating according to colour of luminaire
- Two cable entries for through wiring
- Stainless steel fasteners in grade 304 with zinc flake coating (ZFC)
- Durable silicone rubber gasket
- White coated aluminium reflector on the top of luminaire
- Opal UV-stabilised polycarbonate diffuser
- Integral control gear
- FORREY luminaires with opal lens and colder than 3000K CCT do not meet the IDA certification requirements

Optic

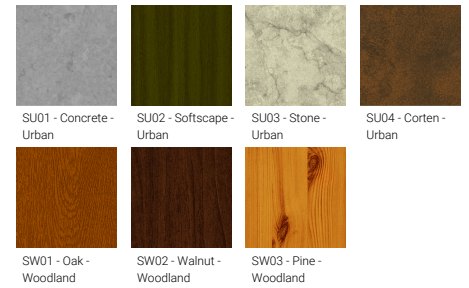


G

Product colour



Special finishes upon request

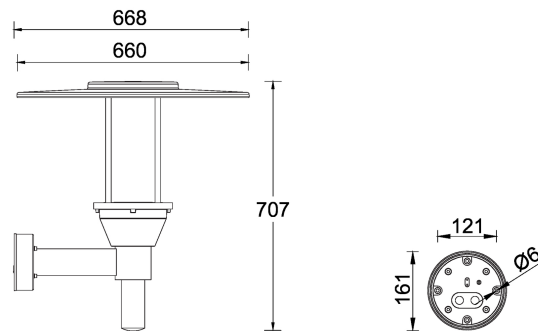


FORREY 17 (FOR-30011)

Technical information

Material	Aluminium	Optic value	360°	Operating temperature	-20 °C to 40 °C
Light source	160 LED	CCT / CRI	3000K CRI80, 4000K CRI80	Through wiring	Two cable entries for through wiring
Power	50 W	Bug	B2-U4-G3	Lens / Reflector / Optic	White coated aluminium reflector on the top of luminaire, Opal UV-stabilised polycarbonate diffuser
Lumen	3903 - 4197 lm	ULR	29%	MacAdam Ellipse	3 SDCM
Efficacy	78 - 84 lm/W	ULOR	29%	Lifetime L90B10 (hours)	> 23,000
Driver option	Integral control gear	CIE flux code n°3	72	Lifetime L80B10 (hours)	> 45,000
Driver	Constant current (CC)	Dimming type	On/Off, 1-10V, DALI	Lifetime L80B50 (hours)	> 49,000
Input voltage	220-240 V 50/60 Hz	Product colours	Black, Dark Grey, White, Matt Silver, Bronze, Concrete - Urban, Softscape - Urban, Stone - Urban, Corten - Urban, Oak - Woodland, Walnut - Woodland, Pine - Woodland	Variants (DALI)	Compatible with EN/ IEC 60598-2-22: Suitable for emergency installations as central supply, non-maintained (Z0)
Optic	G	Weight	10.8 kg		

FOR-30011



FORREY 17 (FOR-30011)

Accessory



DALI Control System
Control-DALI
