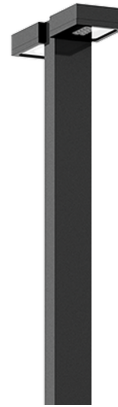


LIGHT LINEAR PT 10 (LI-21261)



Product description

2 sides - Supplied with specific square, straight aluminium pole - Height options: 3 - 6 m



Luminaire Structure

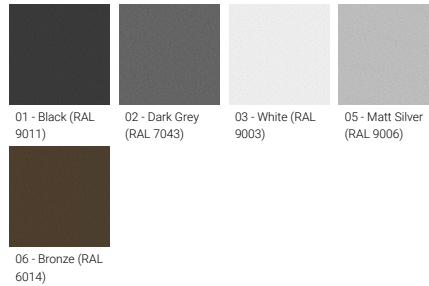
- Die-cast aluminium housing
- Extruded aluminium column
- Pre-treated before powder coating ensuring high corrosion resistance
- Single cable entry
- Stainless steel fasteners in grade 304 with zinc flake coating (ZFC)
- Durable silicone rubber gasket
- Clear toughened glass
- High-efficiency polycarbonate lens
- Integral control gear
- Maximum wind load resistance is 100 km/h
- Surge protection 10kV

Optic



T2 T3 T4

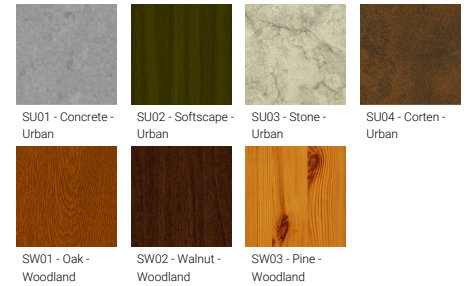
Product colour



01 - Black (RAL 9011) 02 - Dark Grey (RAL 7043) 03 - White (RAL 9003) 05 - Matt Silver (RAL 9006)

06 - Bronze (RAL 6014)

Special finishes upon request



SU01 - Concrete - Urban SU02 - Softscape - Urban SU03 - Stone - Urban SU04 - Corten - Urban

SW01 - Oak - Woodland SW02 - Walnut - Woodland SW03 - Pine - Woodland

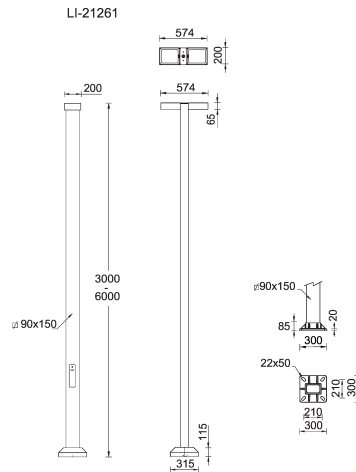
LIGHT LINEAR PT 10 (LI-21261)

Technical information

Material	Aluminium
Light source	2 x 24 LED
Power	108 W
Lumen	12524 - 13992 lm
Efficacy	112 - 125 lm/W
Driver option	Integral control gear
Driver	Constant current (CC)
Input voltage	220-240 V 50/60 Hz
Optic	T2, T3, T4

Optic value	140°x43°, 148°x74°, 120°x80°
CCT / CRI	2700K CRI80, 3000K CRI80, 4000K CRI80
Bug	B1-U0-G1, B2-U0-G2
ULR	<1%
ULOR	<1%
CIE flux code n°3	97, 98
Dimming type	On/Off, 1-10V, DALI
Product colours	Black, Dark Grey, White, Matt Silver, Bronze, Concrete - Urban, Softscape - Urban, Stone - Urban, Corten - Urban, Oak - Woodland, Walnut - Woodland, Pine - Woodland
Weight	26.8 kg

Operating temperature	-20 °C to 50 °C
EPA (m2)	0.113
Through wiring	Single cable entry
Lens / Reflector / Optic	Clear toughened glass, High-efficiency polycarbonate lens
MacAdam Ellipse	3 SDCM
Lifetime L90B10 (hours)	> 90,000
Lifetime L80B10 (hours)	> 90,000
Lifetime L80B50 (hours)	> 90,000



LIGHT LINEAR PT 10 (LI-21261)

Accessory



Root mount kit
A20891



Circuit breaker box IP44
A21291



Internal cable support for pole 3
m
A23991



Internal cable support for pole 4
m
A24091



Internal cable support for pole 5
m
A24191



Internal cable support for pole 6
m
A24291



DALI Control System
Control-DALI

Pole (required)



3 m - Square, straight aluminium
pole for LIGHT LINEAR PT - 2
sides
APC230090-PT10-LI-21261



4 m - Square, straight aluminium
pole for LIGHT LINEAR PT - 2
sides
APC240090-PT10-LI-21261



5 m - Square, straight aluminium
pole for LIGHT LINEAR PT - 2
sides
APC250090-PT10-LI-21261



6 m - Square, straight aluminium
pole for LIGHT LINEAR PT - 2
sides
APC260090-PT10-LI-21261