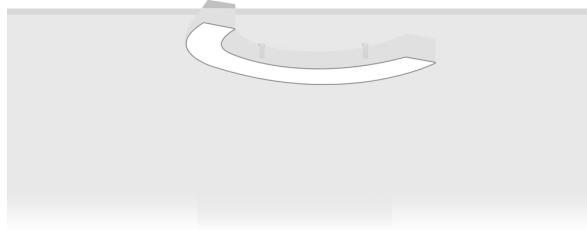


**OULU 1** (OUL-80012)**Product description**

Down - 180° - R500 - Tunable White



microPrim™

**Luminaire Structure**

- Extruded aluminium bended profile with powder coating
- Passive thermal management
- Stainless steel fasteners in grade 304 with zinc flake coating (ZFC)
- Opal PMMA diffuser (UGR <19) for glare control
- Remote driver (included)
- Stainless steel brackets and screws for mounting
- Down light distribution only
- Wireless control available through Bluetooth connection
- Daylight and occupancy sensor options

**Optic**

0

**Product colour**

01 - Black (RAL 9011)    03 - White (RAL 9003)    05 - Matt Silver (RAL 9006)

**Special finishes upon request**

SU01 - Concrete - Urban    SU02 - Softscape - Urban    SU03 - Stone - Urban    SU04 - Corten - Urban



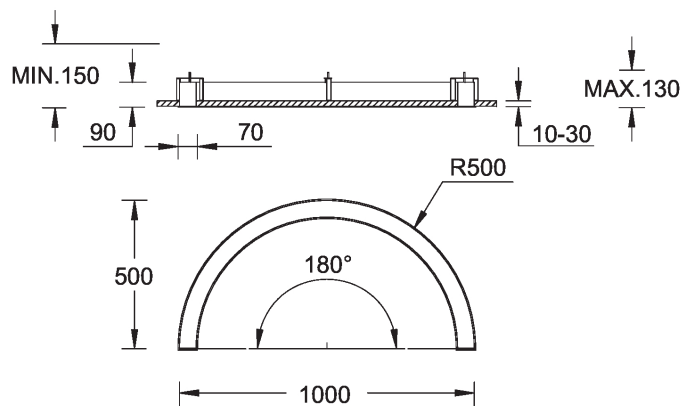
SW01 - Oak - Woodland    SW02 - Walnut - Woodland    SW03 - Pine - Woodland

**OULU 1** (OUL-80012)

**Technical information**

<b>Material</b>	Aluminium	<b>Driver option</b>	Remote driver (included)	<b>Dimming type</b>	DALI
<b>Light source</b>	384 LED	<b>Driver</b>	Constant current (CC)	<b>Product colours</b>	Black, White, Matt Silver, Concrete - Urban, Softscape - Urban, Stone - Urban, Corten - Urban, Oak - Woodland, Walnut - Woodland, Pine - Woodland
<b>Power</b>	27 W	<b>Input voltage</b>	220-240 V 50/60 Hz	<b>Weight</b>	4.2 kg
<b>Lumen</b>	2732 lm	<b>Optic</b>	O	<b>Operating temperature</b>	-20 °C to 40 °C
<b>Efficacy</b>	101 lm/W	<b>CCT / CRI</b>	TW (2700K - 6500K)	<b>Variants (DALI)</b>	Compatible with EN/ IEC 60598-2-22: Suitable for emergency installations as central supply, non-maintained (Z0)

OUL-80012



**OULU 1** (OUL-80012)**Accessory**

Continuous-coupler bracket  
**A81781**



Wireless bluetooth converter  
**A90291**



Xpress wireless switch  
**A90591**



DALI Control System  
**Control-DALI**