

**EDINBURGH 3** (EDB-50021)



**Product description**

Slim, circular fixed-base - IP66



microPrim™

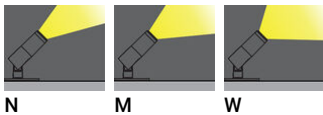
**Luminaire Structure**

- Die-cast aluminium housing
- Pre-treated before powder coating ensuring high corrosion resistance
- Adjustable: Tilt 90° (Up) & 20° (Down), Rotation 350°
- Single cable entry. Through wiring upon request with optional surface mounting box accessory

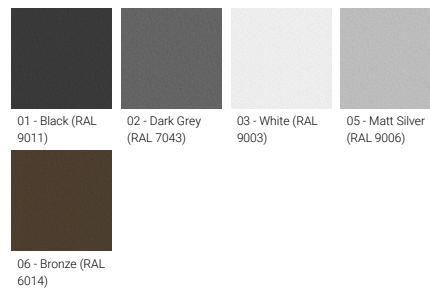
- One cable gland supplied with 0.5 m of 3x1.0 sqmm outdoor cable
- Stainless steel fasteners in grade 304 with zinc flake coating (ZFC)
- Durable silicone rubber gasket
- High-efficiency PMMA lens

- Clear toughened glass
- Integral control gear

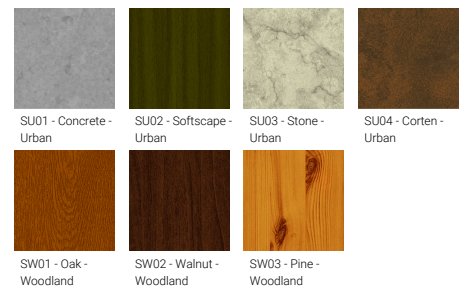
**Optic**



**Product colour**



**Special finishes upon request**



**EDINBURGH 3 (EDB-50021)**

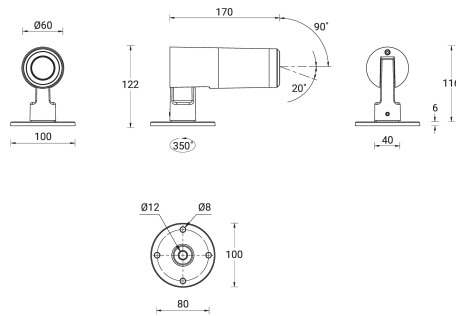
**Technical information**

<b>Material</b>	Aluminium
<b>Light source</b>	3 LED
<b>Power</b>	8 W
<b>Lumen</b>	632 - 851 lm
<b>Efficacy</b>	79 - 106 lm/W
<b>Driver option</b>	Integral control gear
<b>Driver</b>	Constant current (CC)
<b>Input voltage</b>	220-240V 50/60Hz
<b>Optic</b>	N, M, W

<b>Optic value</b>	24°, 30°, 47°
<b>CCT / CRI</b>	2700K CRI80, 3000K CRI80, 4000K CRI80
<b>Bug</b>	B1-U0-G0
<b>ULR</b>	<1%
<b>ULOR</b>	<1%
<b>CIE flux code n°3</b>	100
<b>Dimming type</b>	On/Off
<b>Product colours</b>	Black, Dark Grey, White, Matt Silver, Bronze, Concrete - Urban, Softscape - Urban, Stone - Urban, Corten - Urban, Oak - Woodland, Walnut - Woodland, Pine - Woodland
<b>Weight</b>	1.2 kg

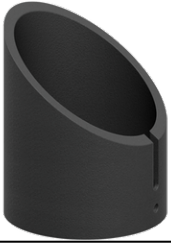
<b>Operating temperature</b>	-20 °C to 50 °C
<b>EPA (m2)</b>	0.013
<b>Cable</b>	One cable gland supplied with 0.5 m of 3x1.0 sqmm outdoor cable
<b>Through wiring</b>	Single cable entry. Through wiring upon request with optional surface mounting box accessory
<b>Lens / Reflector / Optic</b>	High-efficiency PMMA lens, Clear toughened glass
<b>MacAdam Ellipse</b>	3 SDCM
<b>Lifetime L90B10 (hours)</b>	> 120,000
<b>Lifetime L80B10 (hours)</b>	> 120,000
<b>Lifetime L80B50 (hours)</b>	> 120,000

EDB-50021

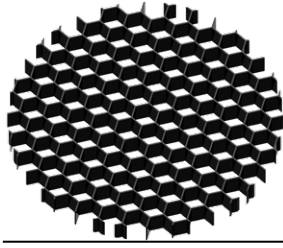


**EDINBURGH 3** (EDB-50021)**Accessory**

---



Anti-glare visor  
**A55331**



Honeycomb louvre  
**A57521**

Please contact the factory for technical details if you wish to use Anti-glare accessories, Colour filters, Lenses and slip glasses in combination.