

MALMO 4 (MAL-90055)



Product description

Down - 1180 mm - RGBW DMX



microPrim™

Luminaire Structure

- Extruded aluminium bended profile with powder coating
- Passive thermal management
- Stainless steel fasteners in grade 304 with zinc flake coating (ZFC)
- PMMA diffuser with Opal (UGR <19) and micro prismatic (UGR <13) options for better glare control

- Integral control gear
- Stainless steel, adjustable, suspension (1.5 m) complete with electrical wires in white for mounting
- Up and down light distribution options
- Wireless control available through Bluetooth connection

- Daylight and occupancy sensor options
- Emergency module (1 or 3 hours) is available upon request with 3 options (BASIC, SELF-TEST, PRO-DALI)

Optic



Product colour



01 - Black (RAL 9011) 03 - White (RAL 9003) 05 - Matt Silver (RAL 9006)

Special finishes upon request



SU01 - Concrete - Urban SU02 - Softscape - Urban SU03 - Stone - Urban SU04 - Corten - Urban



SW01 - Oak - Woodland SW02 - Walnut - Woodland SW03 - Pine - Woodland

MALMO 4 (MAL-90055)

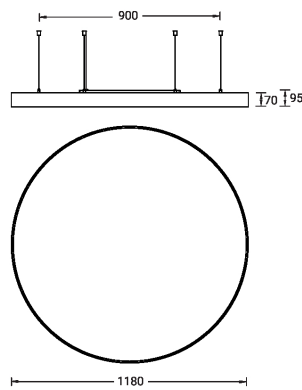
Technical information

Material	Aluminium
Light source	10944 LED
Power	329 W
Lumen	10344 lm
Efficacy	323 lm/W
Driver option	Integral control gear

Driver	Constant current (CC)
Input voltage	220-240 V 50/60 Hz
Optic	O, P
Optic value	107°, 94°
CCT / CRI	RGBW40
Dimming type	DMX, DMX/RDM

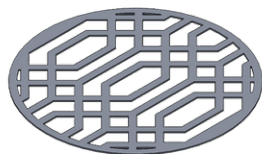
Product colours	Black, White, Matt Silver, Concrete - Urban, Softscape - Urban, Stone - Urban, Corten - Urban, Oak - Woodland, Walnut - Woodland, Pine - Woodland
Weight	17.9 kg
Operating temperature	-20 °C to 40 °C
Variants (DMX/RDM)	Compatible with EN/ IEC 60598-2-22: Suitable for emergency installations as central supply, non-maintained (Z0)

MAL-90055

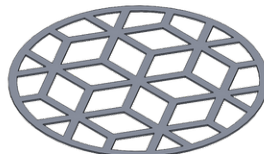


MALMO 4 (MAL-90055)**Accessory**

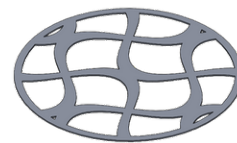
Supply cable surface mounting
box
A80981



Decorative pattern - Type A for
MALMO 300 mm
A90821



Decorative pattern - Type B for
MALMO 300 mm
A92221



Decorative pattern - Type C for
MALMO 300 mm
A93621



DMX Control System
Control-DMX



DMX/RDM Control System
Control-DMX-RDM