

VERANDA 1 (VR-70274)



Product description

Large

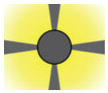


microPrim™

Luminaire Structure

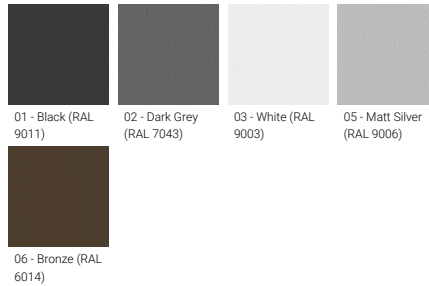
- Die-cast aluminium housing
- Pre-treated before powder coating ensuring high corrosion resistance
- Single cable entry
- One IP68 connector supplied with 0.2 m of 3x1.0 sqmm outdoor cable
- Stainless steel fasteners in grade 304 with zinc flake coating (ZFC)
- Durable silicone rubber gasket
- High-efficiency polycarbonate lens
- Integral control gear

Optic

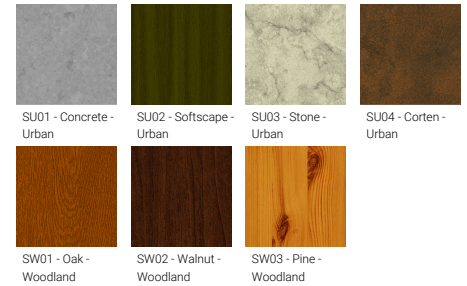


G

Product colour



Special finishes upon request



VERANDA 1 (VR-70274)

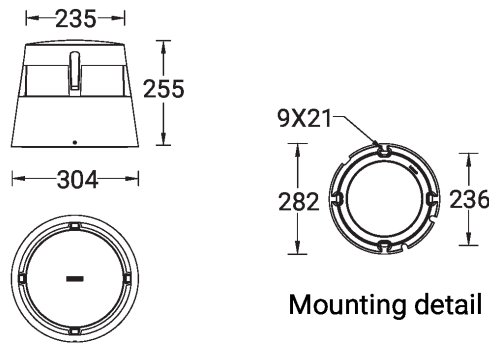
Technical information

Material	Aluminium
Light source	4 x 1 COB
Power	30 W
Lumen	746 - 805 lm
Efficacy	25 - 27 lm/W
Driver option	Integral control gear
Driver	Constant current (CC)

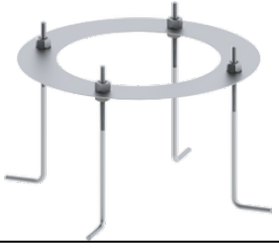
Input voltage	220-240 V 50/60 Hz
Optic	G
Optic value	360°
CCT / CRI	3000K CRI80, 4000K CRI80
Dimming type	On/Off, 1-10V, DALI
Product colours	Black, Dark Grey, White, Matt Silver, Bronze, Concrete - Urban, Softscape - Urban, Stone - Urban, Corten - Urban, Oak - Woodland, Walnut - Woodland, Pine - Woodland
Weight	5.6 kg

Operating temperature	-20 °C to 40 °C
Cable	One IP68 connector supplied with 0.2 m of 3x1.0 sqmm outdoor cable
Through wiring	Single cable entry
Lens / Reflector / Optic	High-efficiency polycarbonate lens
MacAdam Ellipse	3 SDCM
Lifetime L90B10 (hours)	> 50,000
Variants (On/Off, 1-10V)	Compatible with EN/ IEC 60598-2-22: Suitable for emergency installations as central supply, non-maintained (Z0)

Veranda 1



VERANDA 1 (VR-70274)**Accessory**



Anchor bolt
A70191
