

**LADOR 51** (LD-30051) (Version 1)



**Product description**

With remote driver IP-rated - Constant voltage (CV) 24 V - 82x82 mm - Class III - RGBW

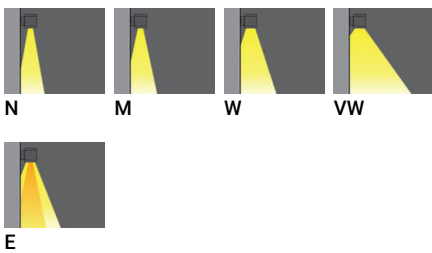


microPrim™

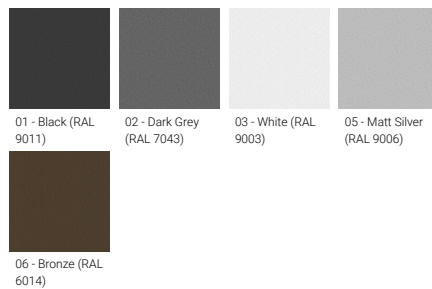
**Luminaire Structure**

- Die-cast aluminium housing
- Pre-treated before powder coating ensuring high corrosion resistance
- Thermal heat dissipation body
- Single cable entry, through wiring upon request
- One cable gland supplied with 0.2 m of 5x1.0 sqmm outdoor cable
- Stainless steel fasteners in grade 304 with zinc flake coating (ZFC)
- Durable silicone rubber gasket
- Clear toughened glass
- High-efficiency PMMA lens
- Remote driver (included)
- Optional surface mounting box for easy wiring or conduit connection when wiring from behind is not possible

**Optic**



**Product colour**



**Special finishes upon request**



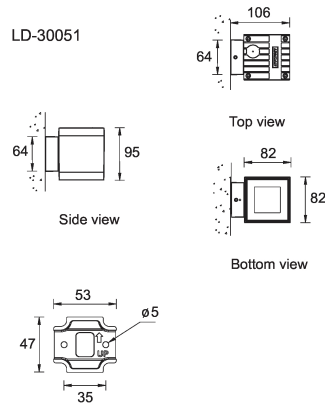
**LADOR 51** (LD-30051) (Version 1)

**Technical information**

|                      |                          |
|----------------------|--------------------------|
| <b>Material</b>      | Aluminium                |
| <b>Light source</b>  | 4 LED                    |
| <b>Power</b>         | 10 W                     |
| <b>Lumen</b>         | 406 - 520 lm             |
| <b>Efficacy</b>      | 41 - 52 lm/W             |
| <b>Driver option</b> | Remote driver (included) |
| <b>Driver</b>        | Constant voltage (CV)    |
| <b>Input voltage</b> | 24 VDC                   |

|                          |                            |
|--------------------------|----------------------------|
| <b>Optic</b>             | N, M, W, VW, E             |
| <b>Optic value</b>       | 8°, 17°, 26°, 65°, 43°x11° |
| <b>CCT / CRI</b>         | RGBW30, RGBW40             |
| <b>Bug</b>               | B1-U0-G0                   |
| <b>ULR</b>               | <1%                        |
| <b>ULOR</b>              | <1%                        |
| <b>CIE flux code n°3</b> | 100                        |
| <b>Dimming type</b>      | DMX, DMX/RDM               |

|                                 |  |
|---------------------------------|--|
| <b>Product colours</b>          | Black, Dark Grey, White, Matt Silver, Bronze, Concrete - Urban, Softscape - Urban, Stone - Urban, Corten - Urban, Oak - Woodland, Walnut - Woodland, Pine - Woodland |
| <b>Weight</b>                   | 0.8 kg   |
| <b>Operating temperature</b>    | -20 °C to 40 °C  |
| <b>Cable</b>                    | One cable gland supplied with 0.2 m of 5x1.0 sqmm outdoor cable  |
| <b>Through wiring</b>           | Single cable entry, through wiring upon request  |
| <b>Lens / Reflector / Optic</b> | Clear toughened glass, High-efficiency PMMA lens   |
| <b>Variants (DMX/RDM)</b>       | Compatible with EN/ IEC 60598-2-22: Suitable for emergency installations as central supply, non-maintained (Z0)  |



**LADOR 51** (LD-30051) (Version 1)

**Accessory**

---



DMX Control System  
**Control-DMX**



DMX/RDM Control System  
**Control-DMX-RDM**