

AUGUSTA 6 (AUG-10021)



Product description

260x75 mm - 500 mm



microPrim™

Luminaire Structure

- Die-cast aluminium housing and frame
- Extruded aluminium column
- Pre-treated before powder coating ensuring high corrosion resistance
- Single cable entry
- One IP68 connector supplied with 0.2 m of 3x1.0 sqmm outdoor cable
- Stainless steel fasteners in grade 304 with zinc flake coating (ZFC)
- Durable silicone rubber gasket
- Toughened glass
- Integral control gear

Optic



G

Product colour



Special finishes upon request



AUGUSTA 6 (AUG-10021)

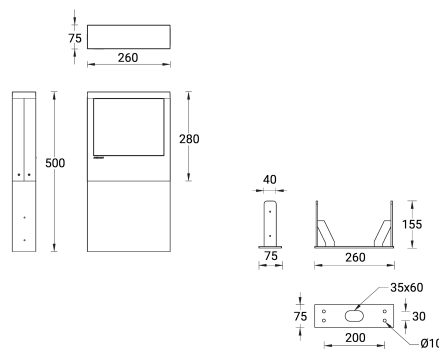
Technical information

Material	Aluminium
Light source	60 LED
Power	19 W
Lumen	1242 - 1328 lm
Efficacy	65 - 70 lm/W
Driver option	Integral control gear
Driver	Constant current (CC)
Input voltage	220-240 V 50/60 Hz
Optic	G

Optic value	75°x103°
CCT / CRI	3000K CRI80, 4000K CRI80
Bug	B1-U0-G1
ULR	<1%
ULOR	<1%
CIE flux code n°3	97
Dimming type	On/Off, DALI
Product colours	Black, Dark Grey, White, Matt Silver, Bronze, Concrete - Urban, Softscape - Urban, Stone - Urban, Corten - Urban, Oak - Woodland, Walnut - Woodland, Pine - Woodland
Weight	5.6 kg

Operating temperature	-20 °C to 40 °C
Cable	One IP68 connector supplied with 0.2 m of 3x1.0 sqmm outdoor cable
Through wiring	Single cable entry
Lens / Reflector / Optic	Toughened glass
MacAdam Ellipse	3 SDCM
Lifetime L90B10 (hours)	> 23,000
Lifetime L80B10 (hours)	> 45,000
Lifetime L80B50 (hours)	> 49,000
Variants (On/Off, DALI)	Compatible with EN/ IEC 60598-2-22: Suitable for emergency installations as central supply, non-maintained (Z0)

AUG-10021

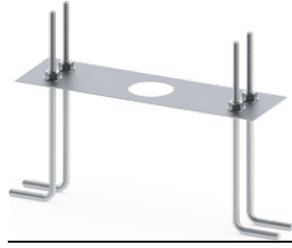


AUGUSTA 6 (AUG-10021)

Accessory



DALI Control System
Control-DALI



Anchor bolt
A12091