

OULU 5 (OUL-80402)



Product description

Down - 180° - R250 - Tunable White



microPrim™

Luminaire Structure

- Die-cast aluminium end-caps and extruded aluminium profile with powder coating
- Multiple angles available
- Passive thermal management
- Stainless steel fasteners in grade 304 with zinc flake coating (ZFC)

- Opal PMMA diffuser (UGR <19) for glare control
- Integral control gear
- Steel brackets for ceiling down mounting option
- Up and down light distribution options

- Wireless control available through Bluetooth connection

Optic



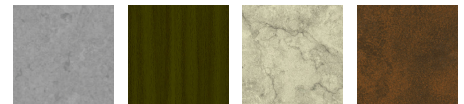
0

Product colour

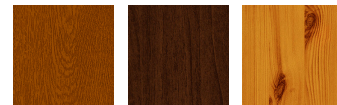


01 - Black (RAL 9011) 03 - White (RAL 9003) 05 - Matt Silver (RAL 9006)

Special finishes upon request



SU01 - Concrete - Urban SU02 - Softscape - Urban SU03 - Stone - Urban SU04 - Corten - Urban



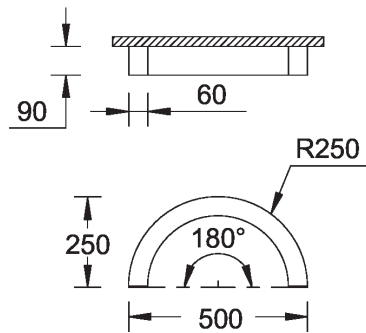
SW01 - Oak - Woodland SW02 - Walnut - Woodland SW03 - Pine - Woodland

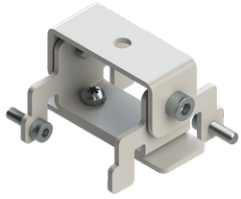
OULU 5 (OUL-80402)

Technical information

Material	Aluminium	Driver option	Integral control gear	Dimming type	DALI
Light source	144 LED	Driver	Constant current (CC)	Product colours	Black, White, Matt Silver, Concrete - Urban, Softscape - Urban, Stone - Urban, Corten - Urban, Oak - Woodland, Walnut - Woodland, Pine - Woodland
Power	13 W	Input voltage	220-240 V 50/60 Hz	Weight	1.9 kg
Lumen	1234 lm	Optic	0	Operating temperature	-20 °C to 40 °C
Efficacy	95 lm/W	CCT / CRI	TW (2700K - 6500K)	Variants (DALI)	Compatible with EN/ IEC 60598-2-22: Suitable for emergency installations as central supply, non-maintained (Z0)

Oulu 250



OULU 5 (OUL-80402)**Accessory**

Ceiling-mounting bracket (40 mm profile)
A81381



Wireless bluetooth converter
A90291



Xpress wireless switch
A90591



DALI Control System
Control-DALI