

Bluetooth - WiFi gateway with ethernet (A94191)



Bluetooth - WiFi gateway with ethernet



Product Overview

Enor E is an enterprise gateway that seamlessly connects the Product Controls ecosystem to the cloud using WiFi or Ethernet and includes the Astronomical time clock feature for automatic lighting schedule adjustments based on the natural daylight cycle.

It has a built-in RTC (Real Time Clock) that keeps the network date and time up to date even after a power outage or without cloud connectivity, ensuring uninterrupted scheduling. It helps in remote control, configuration, and monitoring of the Product Controls ecosystem.

Product description

- WiFi/BLE 5.2 Gateway providing ubiquitous connectivity to BLE devices
- Real-Time Clock(RTC) keeps track of the current time without cloud connectivity or after a power outage
- Support 802.11b/g/n modes
- Automatic switching for daylight saving time
- Daily astronomical calculation of the sunrise/sunset times based on the location
- Quick and easy configurations of the astronomical schedules from product controls mobile application
- Offset for sunrise and sunset times can be adjusted up to ± 120 min. These time differentials are set separately for sunrise and sunset
- CR2032 coin-cell battery powered RTC with 10 years life
- LED indications for power, BLE, WiFi and Error status
- Support Zero downtime Over-the-Air firmware updates for mesh devices

Bluetooth - WiFi gateway with ethernet (A94191)

Technical information

Electrical

Specifications	Value	Remarks
Input voltage	5V	Mini-USB / DC Adaptor
Input current	2A	Mini-USB / DC Adaptor

Ethernet

Specifications	Value
Number of ports	1
Data transmission rate	10/100 Mbps

WiFi

Specifications	Value	Remarks
Frequency band	2412-2462 MHz	IEEE 802 Part 11b/g/n

Environmental

Specifications	Value
Operating temperature	-20 to 55°C (-4 to 131°F)
Storage temperature	-20 to 85°C (-4 to 185°F)
Relative humidity	85%

Bluetooth

Specifications	Value	Remarks
Frequency range	2400-2480 MHz	
Max output power	8dBm	
Receive sensitivity	-95dBm	
Connection distance (device to device)	45m(147.6 ft)	Vary depending on the installation environment

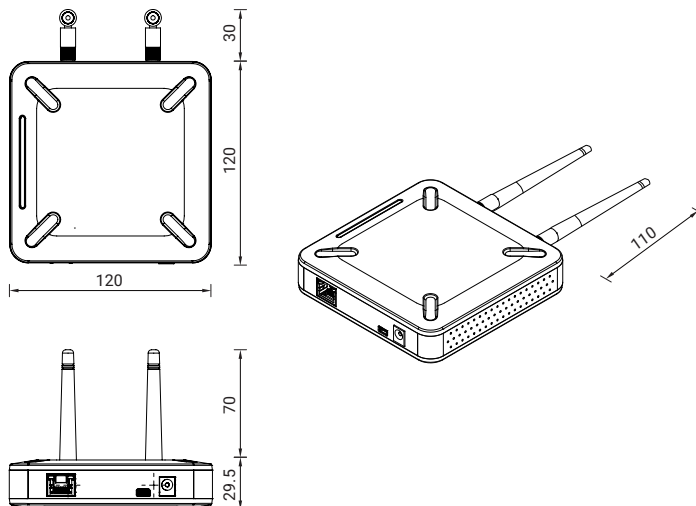
RTC

Specifications	Value	Remarks
Input voltage	3VDC	CR2032 coin cell battery
Battery life	10 years	

Mechanical

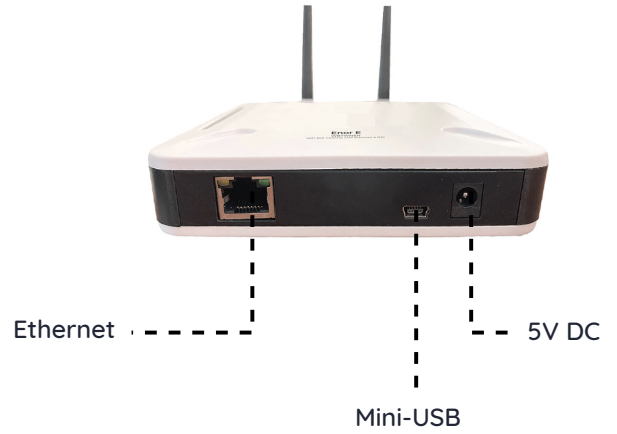
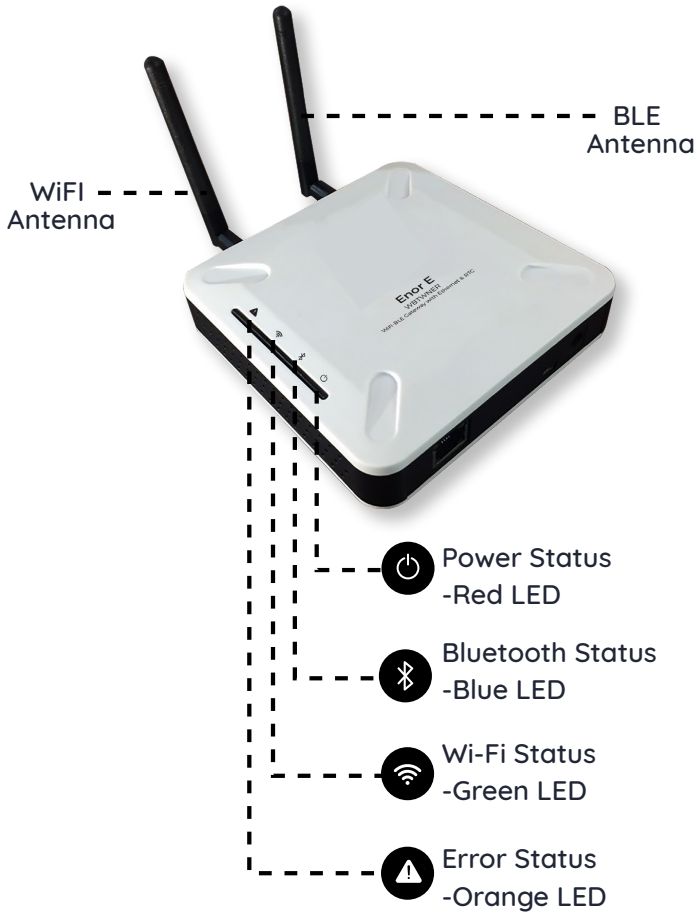
Specifications	Value	Remarks
Dimensions	4.7 x 4.7 x 1.2in (120 x 120 x 29.5mm)	L x W x H

Product dimensions



Bluetooth - WiFi gateway with ethernet (A94191)

Interface Description



Antenna Information

Stick antenna



Antenna Properties	
Frequency range	2.4GHz-2.5GHz
Impedance	50Ω
VSWR	≤ 1.8
Return loss	≥ 12dB
Gain(peak)	2dBi
Power handling	10W
Polarization	Vertical
Radiation pattern	Omni-directional