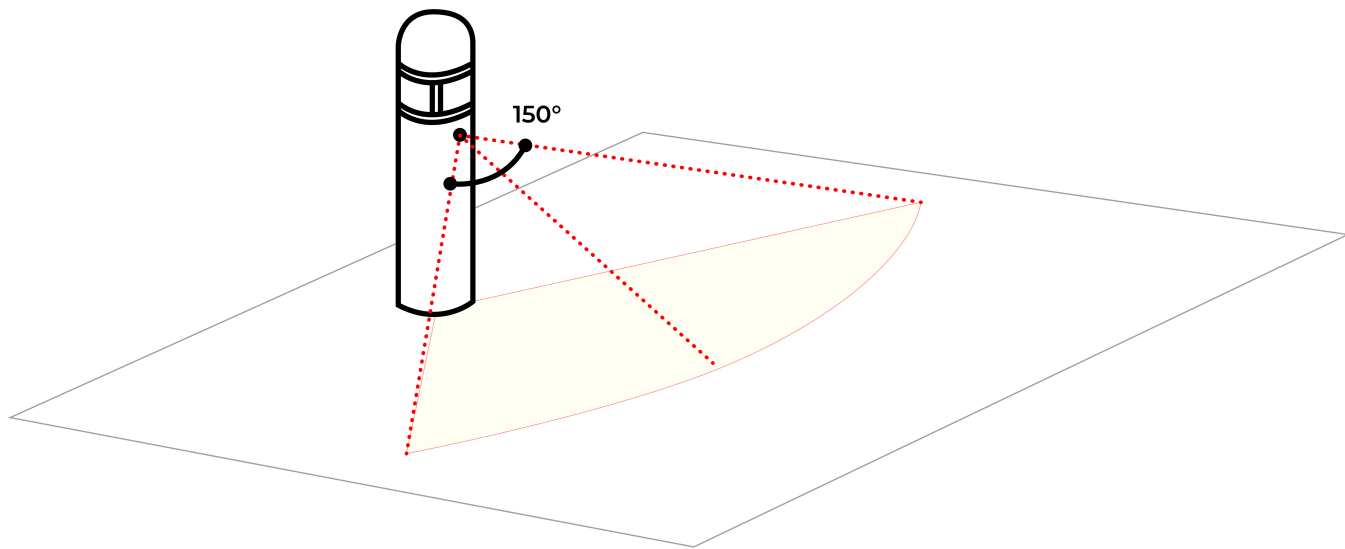


## COLUMBUS

Adjustable sensor (5 seconds – 30 minutes)

30° ~ 150° Sensitivity

Sensor detection area: 9 m



## CO-10117-1-1MS

