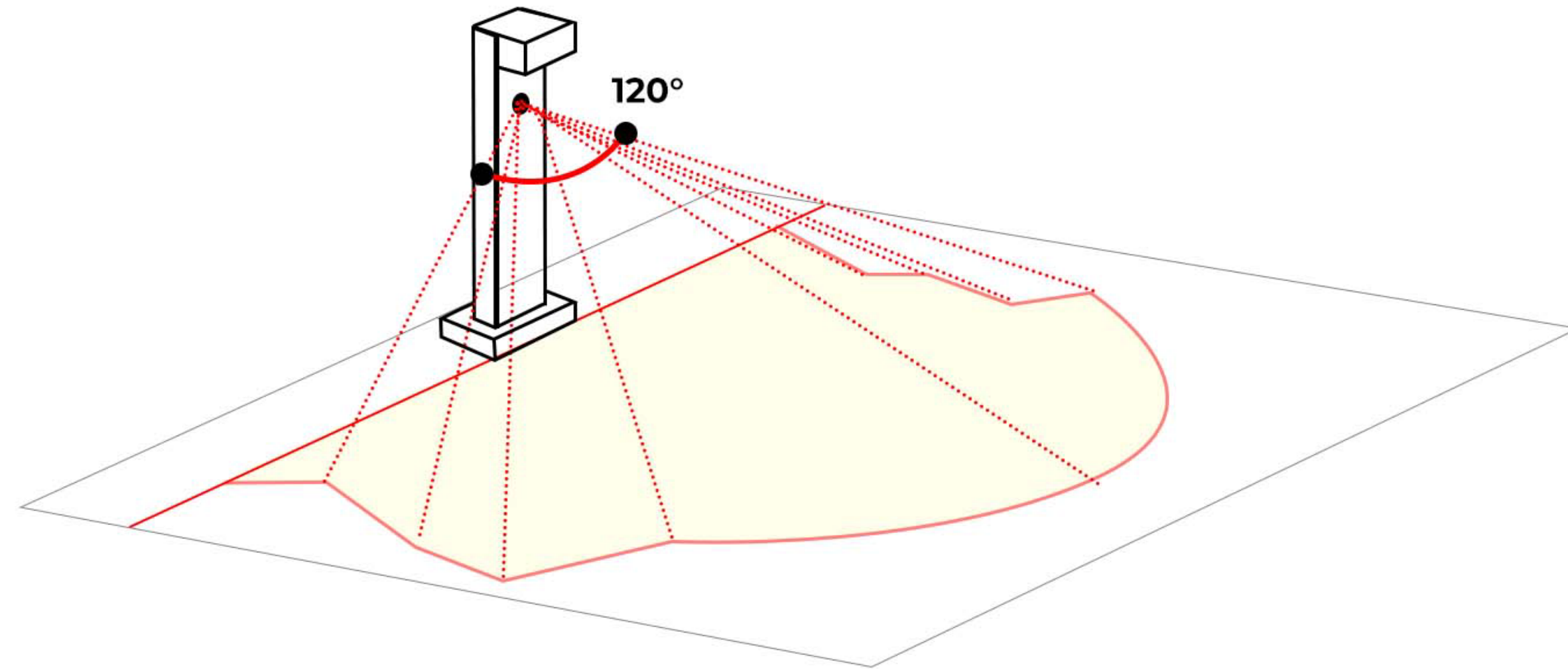


# PRAGUE

Adjustable sensor ( 10 - 150 seconds )

120° sensitivity

Sensor detection area: 7 - 10 m



PRA-10061

