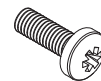
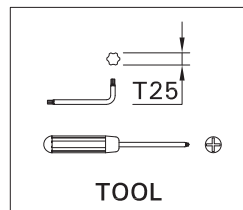
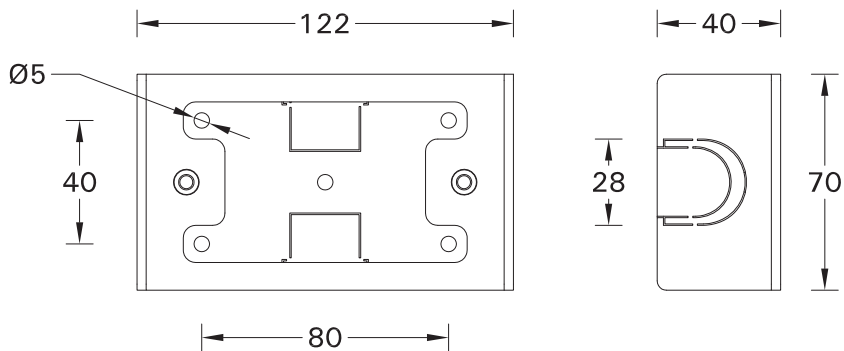


# SCE-MATRIX-10



Screw M5(2 pcs.) is included  
for installation luminaire

