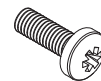
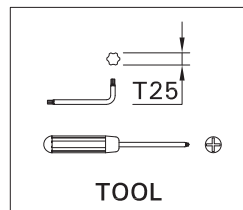
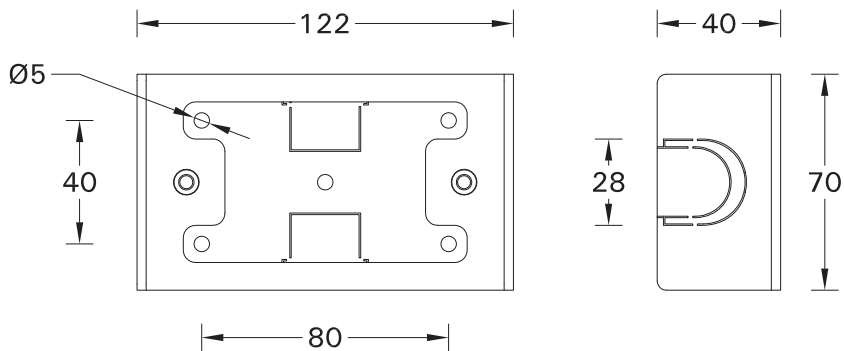


SCE-MATRIX-8



Screw M5(2 pcs.) is included
for installation luminaire

