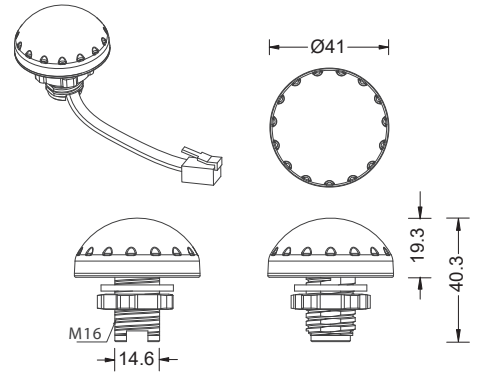
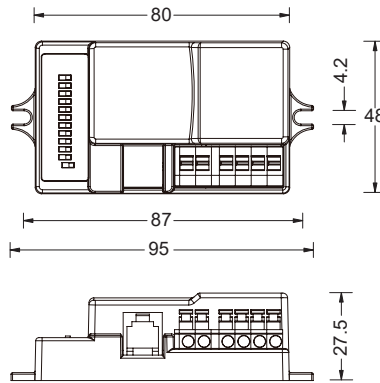


Motion sensor - Microwave - 1-10V (A14591)



Specifications

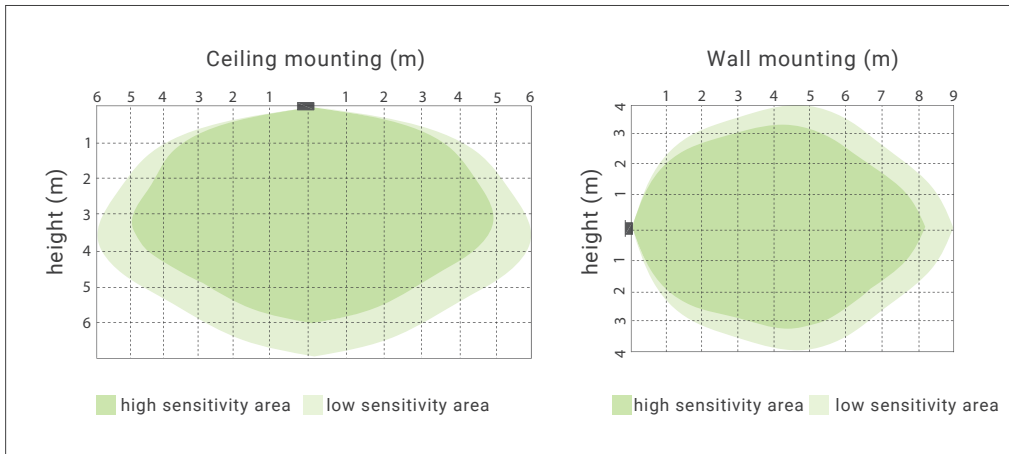
Operating Voltage	120~277 VAC 50/60Hz
Rated load	400W @120VAC, 800W @240VAC, 1000W @ 277VAC
Microwave frequency	5.8 GHz ±75MHz
Detection range	Max. Installation height : 6m Max. detection range : Ø 12m @ 3m Installation height
Detection angle	30° ~ 150°
Temperature	-20°C ~ +60°C

Accessories



Remote controller for the motion sensor - 1-10V (A14591)

A14291



Functional Capabilities and Settings

Sensitivity	100%	75%	50%	10%			
Hold on time	5 sec	30 sec	1 min	5 min	10 min	20 min	30 min
Daylight threshold	Disable	50 Lux	10 Lux	2 Lux			
Stand by Time	0 sec	1 min	5 min	10 min	30 min	1 hours	None [∞] cut off
Stand by dimming level	10%	20%	30%	50%			

Factory Default Settings

NOTE: You can contact the factory in order to get different factory settings or you can order the "Remote controller" to change the settings later.