

LEEDS WEDGE 6 (LEW-30042)



Product description

6 hours of operation time (1 Step dimming & Auto dimming feature with motion sensor override) - 3 days of autonomy



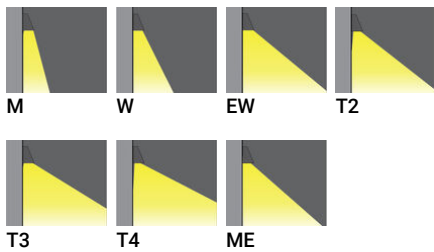
Luminaire Structure

- Die-cast aluminium housing and frame
- Pre-treated before powder coating ensuring high corrosion resistance
- Stainless steel fasteners in grade 304 with zinc flake coating (ZFC)
- Durable silicone rubber gasket
- Clear toughened glass
- High-efficiency PMMA lens

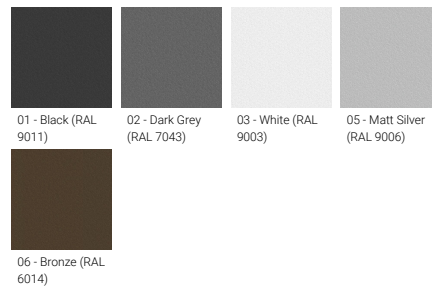
- Integral control gear
- Solar panel mono-crystalline silicon high-efficiency 2x3.2W
- Lithium-ion (Li-ion) battery 4x2.6Ah 3.6VDC
- * Solar charge controller system 3.2V 15A
- Remote solar charge controller can be ordered as an accessory
- * Motion sensor integrated

- STEP1: Step dimming with motion sensor override (10% without movement, 100% for 1 minute when the motion sensor activated.)
- Without any sun (Autonomy), the battery would last for a maximum 4 days
- Maximum 12 hours of operation time (Step dimming with motion sensor override)
- * 3 years warranty

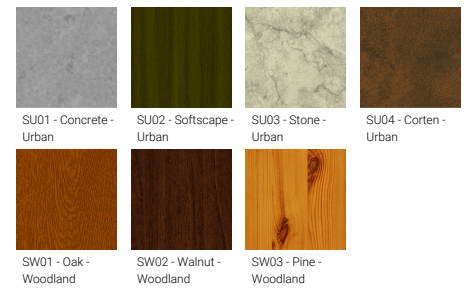
Optic



Product colour



Special finishes upon request



LEEDS WEDGE 6 (LEW-30042)

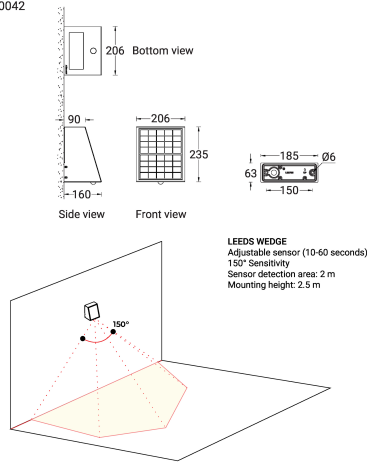
Technical information

Material	Aluminium
Light source	2 x 4 LED
Power	4 W
Lumen	431 - 592 lm
Efficacy	108 - 148 lm/W
Driver option	Integral control gear
Driver	Constant current (CC)

Optic	M, W, EW, T2, T3, T4, ME
Optic value	25°, 54°, 100°X112°, 132°X38°, 126°X63°, 105°X69°, 102°X100°
CCT / CRI	3000K CRI80, 4000K CRI80
Bug	B0-U0-G0, B1-U0-G0
ULR	<1%
ULOR	<1%
CIE flux code n°3	100, 98, 99

Dimming type	1 Step dimming & Auto dimming feature with motion sensor override
Product colours	Black, Dark Grey, White, Matt Silver, Bronze, Concrete - Urban, Softscape - Urban, Stone - Urban, Corten - Urban, Oak - Woodland, Walnut - Woodland, Pine - Woodland
Weight	2.0 kg
Operating temperature	-20 °C to 40 °C
Lens / Reflector / Optic	Clear toughened glass, High-efficiency PMMA lens

LEW-30042



LEEDS WEDGE 6 (LEW-30042)**Accessory**



Remote solar charge controller
for Solar Integrated Surface
facade luminaires

A95691
