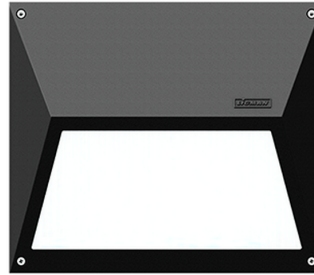


ECO 1 (EC-40581)



Product description

With recessing box

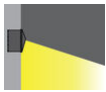


microPrim™

Luminaire Structure

- Die-cast aluminium housing
- Pre-treated before powder coating ensuring high corrosion resistance
- Two cable entries for through wiring
- Stainless steel fasteners in grade 304 with zinc flake coating (ZFC)
- Durable silicone rubber gasket
- Toughened linear spread lens
- Integral control gear

Optic



G

Product colour



Special finishes upon request



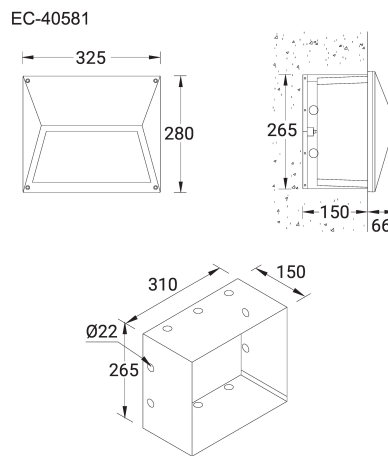
ECO 1 (EC-40581)

Technical information

Material	Aluminium
Light source	96 LED
Power	22 W
Lumen	1514 - 1593 lm
Efficacy	69 - 72 lm/W
Driver option	Integral control gear
Driver	Constant current (CC)

Input voltage	220-240V 50/60Hz
Optic	G
Optic value	86°x50°
CCT / CRI	3000K CRI80, 4000K CRI80
Bug	B0-U2-G1
ULR	1%
ULOR	1%

CIE flux code n°3	93
Dimming type	On/Off, 1-10V, DALI
Product colours	Black, Dark Grey, White, Matt Silver, Bronze, Concrete - Urban, Softscape - Urban, Stone - Urban, Corten - Urban, Oak - Woodland, Walnut - Woodland, Pine - Woodland
Weight	4.8 kg
Operating temperature	-20 °C to 50 °C
Through wiring	Two cable entries for through wiring
Lens / Reflector / Optic	Toughened linear spread lens



Accessory



DALI Control System
Control-DALI
