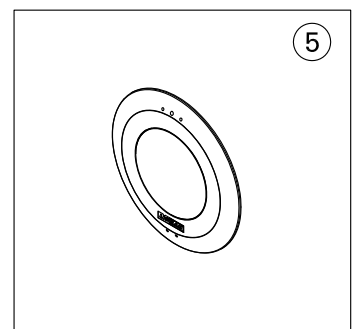
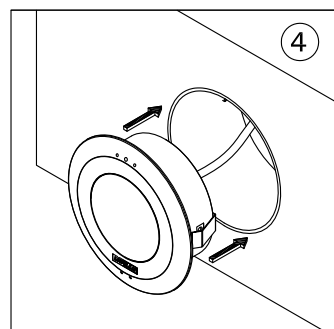
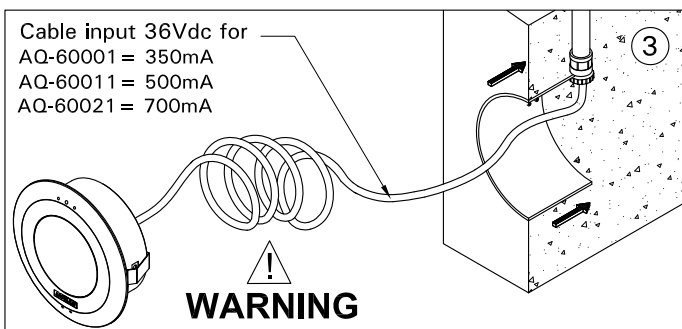
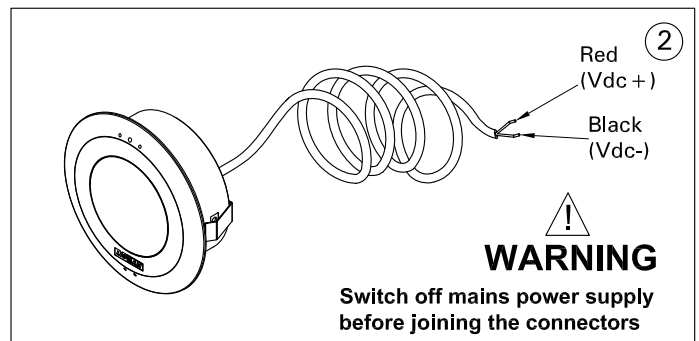
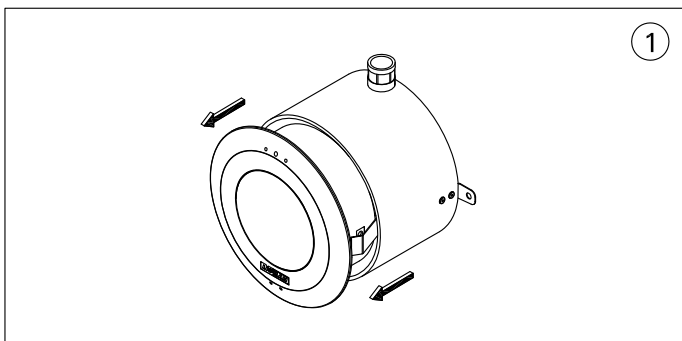
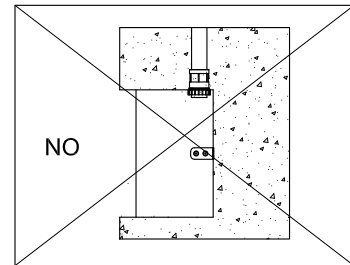
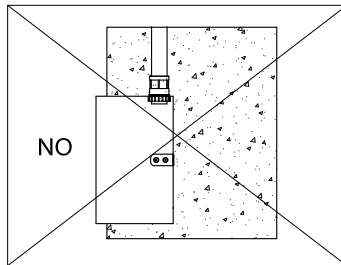
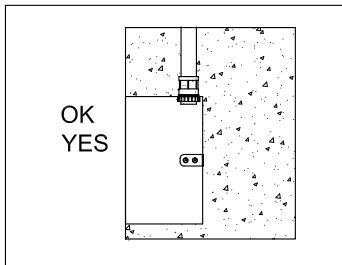
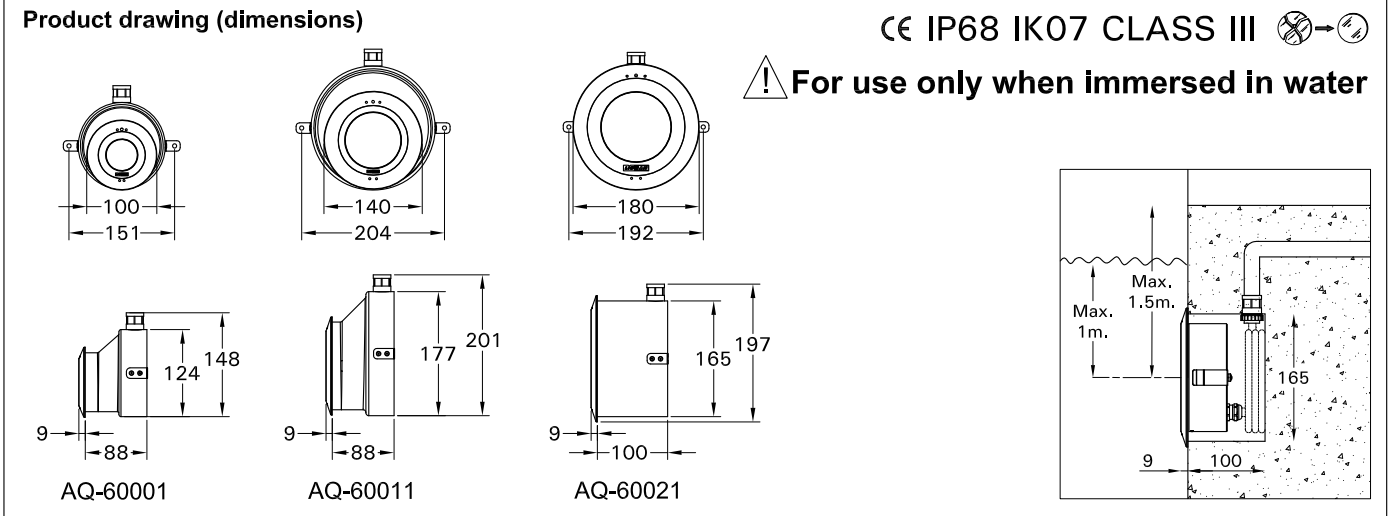


For Installation of Aqua 1-3 Underwater lighting LED.
Model. AQ-60001, AQ-60011, AQ-60021.

CE IP68 IK07 CLASS III

For use only when immersed in water



- LIGMAN standard products are supplied with the control gear 36Vdc 350mA, 500mA, 700mA. The control gear for other voltages and frequencies is available upon request, please consult us for more details.
 - LIGMAN luminaires are designed to conform IEC 60598 2-18 standard.
- Technical amendments and modifications techniques reserved.

Ligman Lighting

Europe Headquarters
Ligman Europe s.r.o.
VGP Park Usti nad Labem, P2 120,
40317 Prestanov
Czech Republic
Tel. +420 477 071 500
sales.cz@ligman.com

www.ligman.com

Thailand Headquarters
Ligman Lighting Co., Ltd.
17/2 Moo 4, Monthong,
Bangnampreaw,
24150, Chachoengsao
Tel : +66 33 026 082
info@ligman.com