

**MELBOURNE 7 (MEL-60061)**



**Product description**

Ø290 - With recessing box / driver - Adjustable: Tilt 25° / Rotation 360°



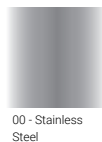
**Luminaire Structure**

- Die-cast stainless steel in grade 316
- Body is pre-treated before powder coating ensuring high corrosion resistance
- Front ring in grade 316 stainless steel
- Externally adjustable: Tilt 25°, Rotation 360° for MEL-60051, MEL-60052, MEL-60053, MEL-60061, MEL-60062, MEL-60063
- Single cable entry, through wiring upon request
- One cable gland supplied with 1 m of 3x1.0 sqmm outdoor cable
- Stainless steel fasteners in grade 316
- Durable silicone rubber gasket
- High-efficiency PMMA lens
- Clear, 15mm thick, toughened glass
- Integral control gear
- Recessing box in high-density polyethylene is included
- Suitable for drive-over with a maximum load of 5000 kg
- Vehicles with pneumatic tires can drive over the luminaire but the speed must not exceed 50 km/h
- Load is transferred by the housing to the foundation
- One glass suction cup for easy installation is included in each item list on the order
- The distance between the luminaire and the illuminated surface should be at least 0.5 m

**Optic**



**Product colour**



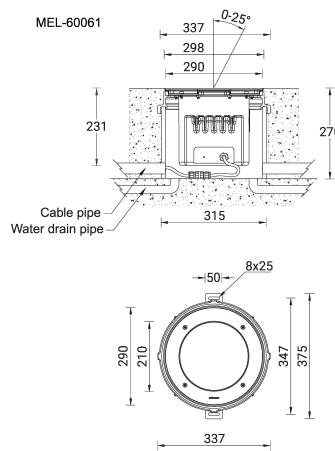
**MELBOURNE 7 (MEL-60061)**

**Technical information**

<b>Material</b>	Stainless Steel
<b>Light source</b>	3 COB
<b>Power</b>	33 W
<b>Lumen</b>	3664 - 4602 lm
<b>Efficacy</b>	111 - 139 lm/W
<b>Driver option</b>	Integral control gear
<b>Driver</b>	Constant current (CC)

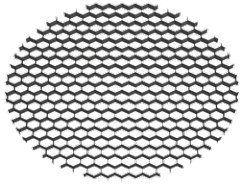
<b>Input voltage</b>	220-240V 50/60Hz
<b>Optic</b>	M, W, E
<b>Optic value</b>	24°, 47°, 51°x33°
<b>CCT / CRI</b>	3000K CRI80, 4000K CRI80
<b>Bug</b>	B0-U5-G0
<b>ULR</b>	100
<b>ULOR</b>	100

<b>Dimming type</b>	On/Off, 1-10V, DALI
<b>Product colours</b>	Stainless Steel
<b>Weight</b>	17.0 kg
<b>Operating temperature</b>	-20 °C to 50 °C
<b>Cable</b>	One cable gland supplied with 1 m of 3x1.0 sqmm outdoor cable
<b>Through wiring</b>	Single cable entry, through wiring upon request
<b>Variants (1-10V, DALI)</b>	Compatible with EN/ IEC 60598-2-22: Suitable for emergency installations as central supply, non-maintained (Z0)



**MELBOURNE 7 (MEL-60061)****Accessory**

---



---

Honeycomb louvre  
**A62521**

---



---

Anti slip glass  
**A62212**

---



---

Glass suction cup  
**A614491**

---



---

DALI Control System  
**Control-DALI**

---

Please contact the factory for technical details if you wish to use Anti-glare accessories, Colour filters, Lenses and slip glasses in combination.