

MELBOURNE 4 (MEL-60031)



Product description

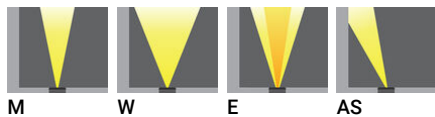
Ø215 - With recessing box / driver



Luminaire Structure

- Die-cast stainless steel in grade 316
- Body is pre-treated before powder coating ensuring high corrosion resistance
- Front ring in grade 316 stainless steel
- Externally adjustable: Tilt 25°, Rotation 360° for MEL-60051, MEL-60052, MEL-60053, MEL-60061, MEL-60062, MEL-60063
- Single cable entry, through wiring upon request
- One cable gland supplied with 1 m of 3x1.0 sqmm outdoor cable
- Stainless steel fasteners in grade 316
- Durable silicone rubber gasket
- High-efficiency PMMA lens
- Clear, 15mm thick, toughened glass
- Integral control gear
- Recessing box in high-density polyethylene is included
- Suitable for drive-over with a maximum load of 5000 kg
- Vehicles with pneumatic tires can drive over the luminaire but the speed must not exceed 50 km/h
- Load is transferred by the housing to the foundation
- One glass suction cup for easy installation is included in each item list on the order
- The distance between the luminaire and the illuminated surface should be at least 0.5 m

Optic



Product colour



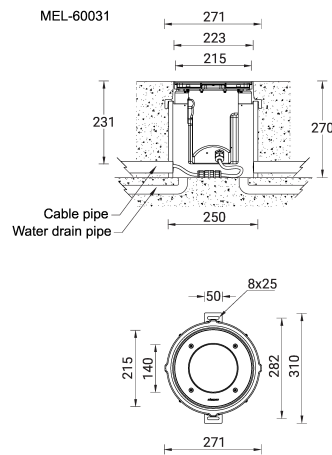
MELBOURNE 4 (MEL-60031)

Technical information

Material	Stainless Steel
Light source	3 COB
Power	25 W
Lumen	2448 - 3255 lm
Efficacy	98 - 130 lm/W
Driver option	Integral control gear
Driver	Constant current (CC)

Input voltage	220-240V 50/60Hz
Optic	M, W, E, AS
Optic value	24°, 45°, 52°x33°, 53°x47°
CCT / CRI	3000K CRI80, 4000K CRI80
Bug	B0-U5-G0
ULR	100
ULOR	100

Dimming type	On/Off, 1-10V, DALI
Product colours	Stainless Steel
Weight	11.0 kg
Operating temperature	-20 °C to 50 °C
Cable	One cable gland supplied with 1 m of 3x1.0 sqmm outdoor cable
Through wiring	Single cable entry, through wiring upon request
Variants (1-10V, DALI)	Compatible with EN/ IEC 60598-2-22: Suitable for emergency installations as central supply, non-maintained (Z0)



MELBOURNE 4 (MEL-60031)**Accessory**

Honeycomb louvre
A62421



Anti slip glass
A62112



Glass suction cup
A614491



DALI Control System
Control-DALI

Please contact the factory for technical details if you wish to use Anti-glare accessories, Colour filters, Lenses and slip glasses in combination.